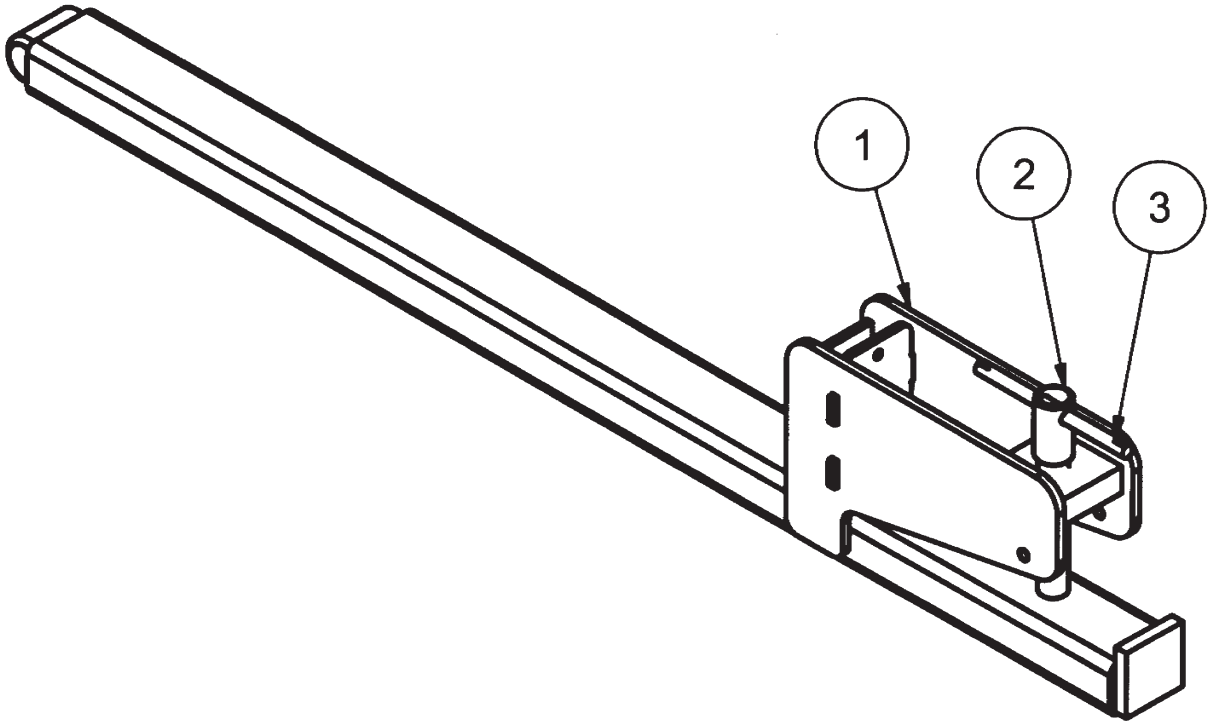
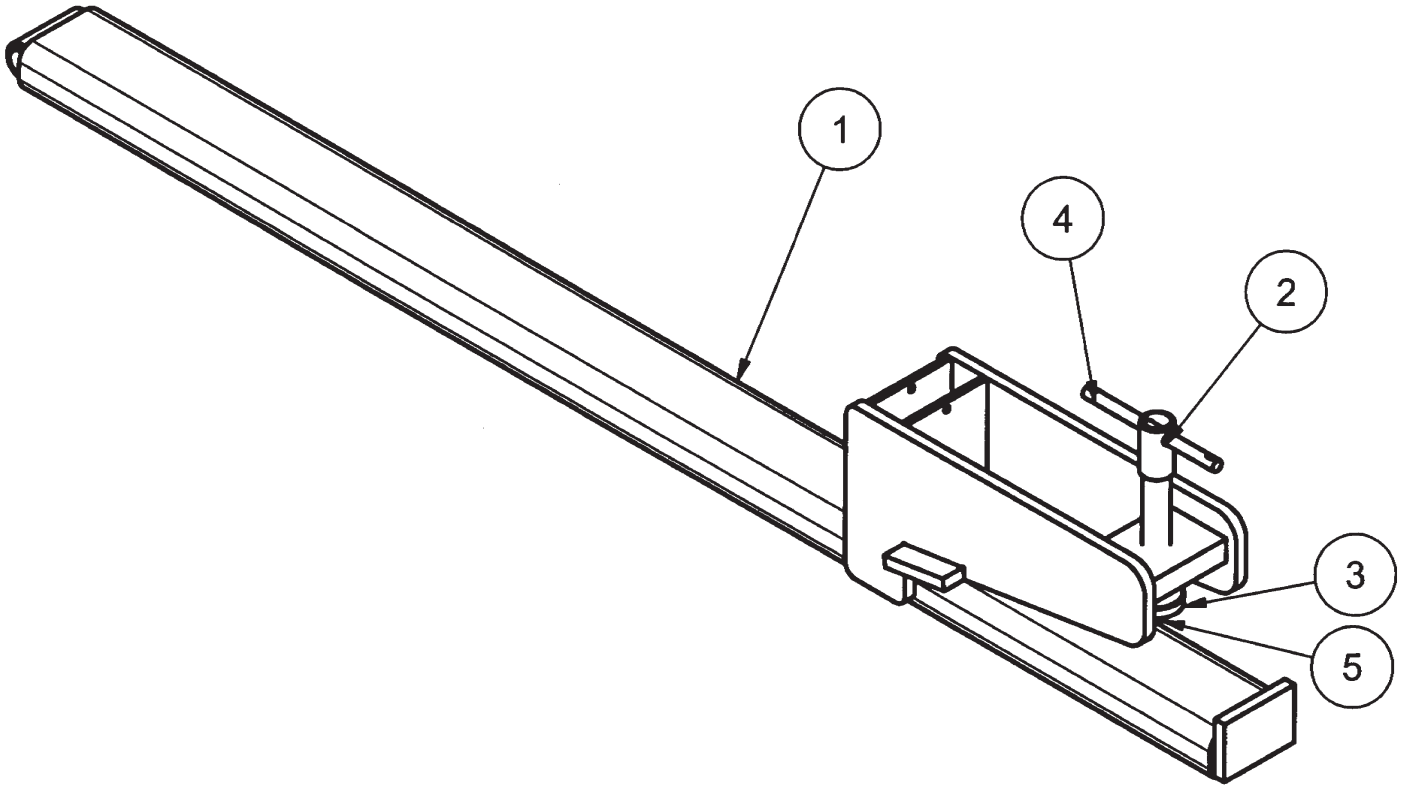


BF-1000 / BF-2000 PARTS LIST



Ref. No.	Part No.	Description	No. Req'd per Fork
1	831946	Fork Weldment (BF-1000 Only)	1
1	831931	Fork Weldment (BF-2000 Only)	1
2	831940	Screw Weldment	1
3	590145	Handle, Knock-In	1
	101408	Safety Sign - Warning	1
	101412	Safety Sign - Danger	1
	101409	Safety Sign - Capacity (1000 Lbs.) (BF-1000 Only)	1
	101410	Safety Sign - Capacity (2000 Lbs.) (BF-2000 Only)	1

BF-4000 PARTS LIST



Ref. No.	Part No.	Description	No. Req'd per Fork
1	831961	Fork Weldment (BF-4000)	1
2	831970	Turn Screw	1
3	831972	Swivel Pad	1
4	590145	Handle, Knock-In	1
5	2503011	Bolt, Hex 3/8-16 x 1.0" Lg	1
	101408	Safety Sign - Warning	1
	101412	Safety Sign - Danger	1
	101152	Safety Sign - Capacity (4000 Lbs.)	1