

# OWNER'S/ OPERATOR'S MANUAL

## MODEL NO.'s

**LPTG-72**

**LPTG-78**

**LPTG-84**

**LPSB-72**

**LPSB-78**

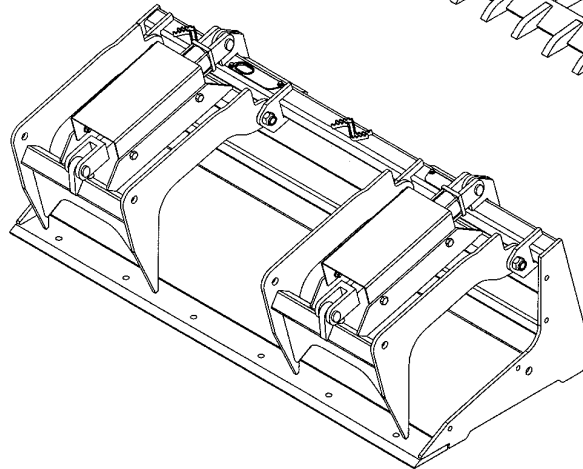
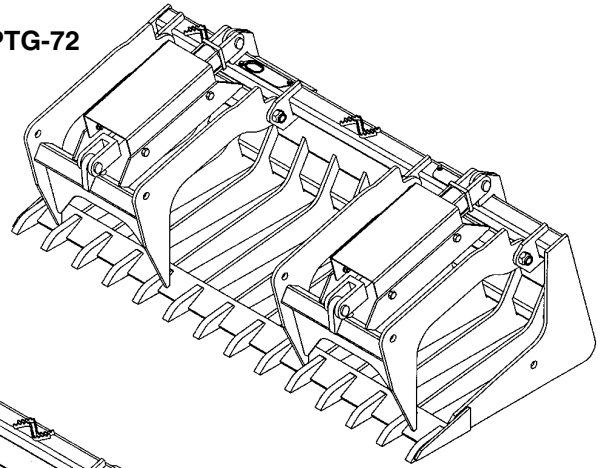
**LPSB-84**

### **CAUTION**

For Safe Operation  
Read Rules And  
Instructions Carefully

SI NO LEEINGLES, PIDA AYUDA  
A AIGUIEN QUE SI LO LEA  
PARA QUE LE TRADUZCA LAS  
MEDIDAS DE SEGURIDAD.

Model LPTG-72



Model LPSB-72

## **SKID STEER TINE & SCRAP GRAPPLE BUCKETS**

**Safety Instructions  
Tractor Preparation  
Operating Instructions**

**Assembly & Mounting  
Maintenance  
Repair Parts**

### **CAUTION**

**THE FOLLOWING SAFETY PRECAUTIONS SHOULD BE THOROUGHLY UNDERSTOOD  
BEFORE ATTEMPTING TO BEGIN ASSEMBLING THIS MACHINE**

1. Select an area for assembly that is clean and free of any debris which might cause persons working on the assembly to trip.
2. Do not lift heavy parts or assemblies. Use crane, jack, tackle, fork trucks or other mechanical devices.
3. Preview the assembly instructions in your operator's manual before proceeding further.
4. If the assembly instructions call for parts or assemblies to be blocked up, use only blocking material that is in good condition and is capable of handling the weight of the assembly to be blocked. Also insure that the blocking material is on a clean, dry surface.
5. Never put hands, or any part of body, under blocked up assemblies if at all possible.
6. After completing assembly, thoroughly inspect the machine to be sure that all nuts, bolts, hydraulic fittings or any other fastened assemblies have been thoroughly tightened.
7. Before operating the machine, thoroughly read the operation section of your operator's manual.
8. Before operating, read the maintenance section of your operator's manual to be sure that any parts requiring lubrication, such as gearboxes, are full, to avoid any possible damage.
9. **Before operating equipment – If you have any questions regarding the proper assembly or operation, contact your dealer or representative.**

# TABLE OF CONTENTS

WARRANTY .....	2
SAFETY INFORMATION .....	3
SAFETY SIGNS .....	8 - 9
PREPARATION INSTRUCTIONS .....	10 - 11
OPERATING INSTRUCTIONS .....	12 - 13
SERVICE & MAINTENANCE .....	14 - 16
PARTS LISTS .....	17 - 21
BOLT TORQUE CHART .....	22

SI NO LEEINGLES, PIDA AYUDA A AIGUIEN QUE SI LO LEA PARA QUE LE TRADUZCA LAS MEDIDAS DE SEGURIDAD.

## STATEMENT OF POLICY

It is the policy of Worksaver, Inc. to improve its products where it is possible and practical to do so. Worksaver, Inc. reserves the right to make changes or improvements in design and construction at any time, without incurring the obligation to make these changes on previously manufactured units.

## TO THE OWNER:

Read this manual before using your Tine or Scrap Grapple Attachment. This manual is provided to give you the necessary operating and maintenance instructions for keeping your Tine or Scrap Grapple Attachment in top operating condition. Please read this manual thoroughly. Understand what each control is for and how to use it. Observe all safety signs on the machine and noted throughout the manual for safe operation of implement. Keep this manual handy for ready reference.

Like all mechanical products, it will require cleaning and upkeep. Lubricate the Tine or Scrap Grapple Attachment as specified.

Use only genuine Worksaver, Inc. service parts. Substitute parts will void the warranty and may not meet standards required for safe and satisfactory operation. Record the model and serial number of your Tine or Scrap Grapple Attachment here:

Model: \_\_\_\_\_ Serial Number: \_\_\_\_\_

Date Purchased: \_\_\_\_\_

---

---

## RETAIL CUSTOMER'S RESPONSIBILITY

**It is the Retail Customer and/or Operator's responsibility to read the Operator's Manual, to operate, lubricate, maintain, and store the product in accordance with all instructions and safety procedures. Failure of the operator to read the Operator's Manual is a misuse of this equipment.**

**It is the Retail Customer and/or Operator's responsibility to inspect the product and to have any part(s) repaired or replaced when continued operation would cause damage or excessive wear to other parts or cause a safety hazard.**

**It is the Retail Customer's responsibility to deliver the product to the authorized Worksaver Dealer, from whom he purchased it, for service or replacement of defective parts which are covered by warranty. Repairs to be submitted for warranty consideration must be made within forty-five (45) days of failure.**

**It is the Retail Customer's responsibility for any cost incurred by the Dealer for traveling to or hauling of the product for the purpose of performing a warranty obligation or inspection.**

# LIMITED WARRANTY

Worksaver warrants to the original purchaser of any new Tine or Scrap Grapple Attachment, that the equipment be free from defects in material and workmanship for a period of TWELVE (12) MONTHS COMMENCING ON THE DATE OF DELIVERY OF THE PRODUCT TO THE ORIGINAL PURCHASER. This warranty will apply if notified to Worksaver, Inc. within thirty (30) days after such defect is discovered.

The warranty registration must be completed and returned to Worksaver, Inc.

Replacement or repair parts installed in the equipment covered by this warranty are warranted for ninety (90) days from the date of purchase of such part or to the expiration of the applicable new equipment warranty period, whichever occurs later.

Such parts shall be provided at no cost to the user during regular working hours. Worksaver reserves the right to inspect any equipment or parts which are claimed to have been defective in material or workmanship.

This warranty is extended solely to the original purchaser of the product. Should the original purchaser sell or otherwise transfer this product to a third party, this warranty does not transfer to the third party purchaser in any way. There are no third party beneficiaries of this warranty.

## DISCLAIMER OF IMPLIED WARRANTIES & CONSEQUENTIAL DAMAGES

Worksaver shall not be liable for any incident or consequential losses, damages or expenses, arising directly or indirectly from the product, whether such claim is based upon breach of contract, breach of warranty, negligence, strict liability in tort or any other legal theory.

Worksaver's obligation under this warranty, to the extent allowed by law, is in lieu of all warranties, implied or expressed, including implied warranties of merchantability and fitness for a particular purpose and any liability for incidental and consequential damages with respect to the sale or use of the items warranted. Such incidental and consequential damages shall include but not be limited to: transportation charges other than normal freight charges; cost of installation other than cost approved by Worksaver; duty; taxes; charges for normal service or adjustments; loss of crops or any other loss of income; rental of substitute equipment, expenses due to loss, damage, detention or delay in the delivery of equipment or parts resulting from acts beyond the control of Worksaver.

## THIS WARRANTY SHALL NOT APPLY:

1. To vendor items which carry their own warranties, such as hydraulic cylinders, hydraulic hoses, and fittings.
2. If the unit has been subjected to misapplication, abuse, misuse, negligence, fire or other accident.
3. If parts not made or supplied by Worksaver have been used in connection with the unit, if, in sole judgement of Worksaver such use affects its performance, stability, or reliability.
4. If the unit has been altered or repaired outside of an authorized Worksaver dealership in a manner which, in the sole judgement of Worksaver affects its performance, stability or reliability.
5. To normal maintenance service and normal replacement items such as gearbox lubricant, hydraulic fluid, worn blades, or to normal deterioration of such things as hoses and exterior finish, due to use or exposure.
6. To expendable or wear items such as cutting edge, plow bolts, tine points and other items that in the company's sole judgement is a wear item.

NO EMPLOYEE OR REPRESENTATIVE OF WORKSAVER IS AUTHORIZED TO CHANGE THIS WARRANTY IN ANY WAY OR GRANT ANY OTHER WARRANTY UNLESS SUCH CHANGE IS MADE IN WRITING AND SIGNED BY WORKSAVER'S SERVICE MANAGER, POST OFFICE BOX 100, LITCHFIELD, ILLINOIS 62056-0100.

**This warranty is subject to the warranty registration being submitted within sixty (60) days after purchase.** For warranty services, contact your selling dealer.

# To the Owner/Operator/Dealer

All implements with moving parts are potentially hazardous. There is no substitute for a cautious, safe-minded operator who recognizes the potential hazards and follows reasonable safety practices. The manufacturer has designed this attachment to be used with all its safety equipment properly attached to minimize the chance of accidents.

## BEFORE YOU START!!

**Read the safety messages on the implement and shown in your manual.  
Observe the rules of safety and common sense!**



### THIS SYMBOL MEANS

- ATTENTION!
- BECOME ALERT!
- YOUR SAFETY IS INVOLVED!

THIS SAFETY ALERT SYMBOL IDENTIFIES IMPORTANT SAFETY WARNING MESSAGES. CAREFULLY READ EACH WARNING MESSAGE THAT FOLLOWS. FAILURE TO UNDERSTAND AND OBEY A SAFETY WARNING, OR RECOGNIZE A SAFETY HAZARD, COULD RESULT IN AN INJURY OR DEATH TO YOU OR OTHERS AROUND YOU. THE OPERATOR IS ULTIMATELY RESPONSIBLE FOR THE SAFETY OF HIMSELF, AS WELL AS OTHERS, IN THE OPERATING AREA OF THE PRIME MOVER AND ATTACHED EQUIPMENT.

---

## UNDERSTAND SIGNAL WORDS

Note the use of the signal words **DANGER**, **WARNING** and **CAUTION** with the safety messages. The appropriate signal word for each has been selected using the following guidelines:

**DANGER:** Indicates an imminently hazardous situation that, if not avoided, will result in death or serious injury. This signal word is to be limited to the most extreme situations typically for machine components which, for functional purposes, cannot be guarded.

**WARNING:** Indicates a potentially hazardous situation that, if not avoided, could result in death or serious injury, and includes hazards that are exposed when guards are removed. It may also be used to alert against unsafe practices.

**CAUTION:** Indicates a potentially hazardous situation that, if not avoided, may result in minor or moderate injury. It may also be used to alert against unsafe practices.

If you have questions not answered in this manual or require additional copies or the manual is damaged, please contact your dealer or the manufacturer directly.

---

## GENERAL INFORMATION

The purpose of this manual is to assist in assembling, mounting, operating, and maintaining your attachment. Read this manual carefully to obtain information and instructions that will help you realize years of safe and dependable service.

The illustrations and data used in this manual were current at the time of printing, but due to possible engineering and/or production changes, this product may vary slightly in detail. Worksaver, Inc. reserves the right to redesign and/or change components as may be necessary without notification to anyone.

Throughout this manual, references may be made to:

Prime Mover	The engine-driven machine to which this product must be attached.
Right, Left, Front, Rear	Directions that are determined in relation to the operator of the equipment when seated in the normal operation position.

# IMPORTANT SAFETY INFORMATION!

## WARNING!



### **READ MANUAL PRIOR TO INSTALLATION**

Improper installation, operation, or maintenance of this equipment could result in serious injury or death. Operators and maintenance personnel should read this manual, as well as all manuals related to this equipment and the prime mover thoroughly before beginning installation, operation, or maintenance. **FOLLOW ALL SAFETY INSTRUCTIONS IN THIS MANUAL AND THE PRIME MOVER'S MANUAL(S).**



### **READ AND UNDERSTAND ALL SAFETY STATEMENTS**

Read all safety decals and safety statements in all manuals prior to operating or working on this equipment. Know and obey all OSHA regulations, local laws, and other professional guidelines for your operation. Know and follow good work practices when assembling, maintaining, repairing, mounting, removing, or operating this equipment.



### **KNOW YOUR EQUIPMENT**

Know your equipment's capabilities, dimensions, and operations before operating. Visually inspect your equipment before you start, and never operate equipment that is not in proper working order with all safety devices intact. Check all hardware to ensure it is tight. Make certain that all locking pins, latches, and connection devices are properly installed and secured. Remove and replace any damaged, fatigued, or excessively worn parts. Make certain all safety decals are in place and are legible. Keep decals clean, and replace them if they become worn or hard to read.

## WARNING!



### **PROTECT AGAINST FLYING DEBRIS**

Always wear proper safety glasses, goggles, or a face shield when driving pins in or out, or when any operation causes dust, flying debris, or any other hazardous material.

## WARNING!



### **LOWER OR SUPPORT RAISED EQUIPMENT**

Do not work under raised booms without supporting them. Do not use support material made of concrete blocks, logs, buckets, barrels, or any other material that could suddenly collapse or shift positions. Make sure support material is solid, not decayed, warped, twisted, or tapered. Lower booms to ground level or on blocks. Lower booms and attachments to the ground before leaving the cab or operator's station.

## WARNING!



### **DO NOT MODIFY MACHINE OR ATTACHMENTS**

Modifications may weaken the integrity of the attachment and may impair the function, safety, life, and performance of the attachment. When making repairs, use only the manufacturer's genuine parts, following authorized instructions. Other parts may be substandard in fit and quality. Never modify any ROPS (Roll Over Protection Structure) or FOPS (Falling Object Protective Structure) equipment or device. Any must be authorized in writing by the manufacturer.

# SAFETY INSTRUCTIONS (continued)

## WARNING!

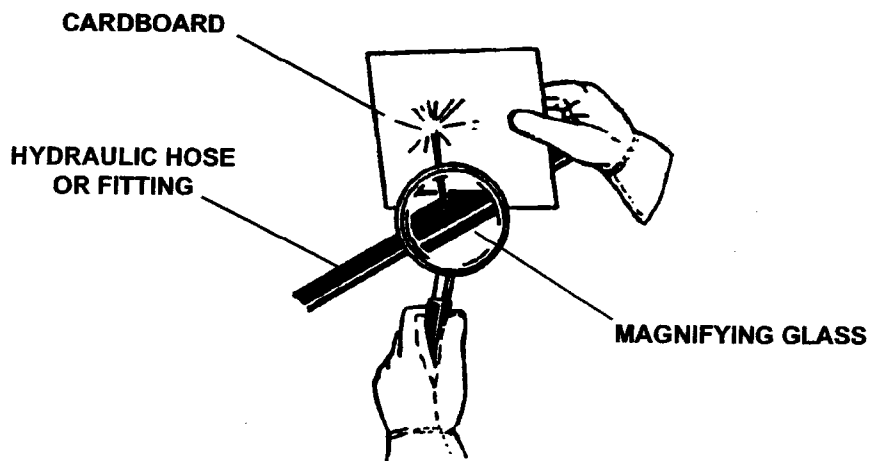


### USE CARE WITH HYDRAULIC FLUID PRESSURE

Hydraulic fluid under pressure can penetrate the skin and cause serious injury or death. Hydraulic leaks under pressure may not be visible. Before connecting or disconnecting hydraulic hoses, read your prime mover's operator's manual for detailed instructions on connecting and disconnecting hydraulic hoses or fittings.

- Keep unprotected body parts, such as face, eyes, and arms as far away as possible from a suspected leak. Flesh injected with hydraulic fluid may develop gangrene or other permanent disabilities.
- Openings in the skin and minor cuts are susceptible to infection from hydraulic fluid.
- If injured by injected fluid, see a doctor at once. If your doctor is not familiar with this type of injury, ask him to research it immediately to determine proper treatment. Without immediate medical treatment, serious infection and reactions can occur.
- Wear safety glasses, protective clothing, and use a piece of cardboard or wood when searching for hydraulic leaks. **DO NOT USE YOUR HANDS!**

SEE ILLUSTRATION:



## WARNING!



### SAFELY MAINTAIN AND REPAIR EQUIPMENT

- Do not wear loose clothing or any accessories that can catch in moving parts. If you have long hair, cover or secure it so that it does not become entangled in the equipment.
- Work on a level surface in a well-lit area.
- Use properly grounded electrical outlets and tools.
- Use the correct tools for the job at hand. Make sure they are in good condition for the task required.
- Wear the protective equipment specified by the tool manufacturer.

# SAFETY INSTRUCTIONS (continued)

## WARNING!



### SAFELY OPERATE EQUIPMENT

Do not operate equipment until you are completely trained by a qualified operator in how to use the controls, know its capabilities, dimensions, and all safety requirements. See your machine's manual for these instructions.

- Operate only from the operator's station. Always use the seat belt if the prime mover has a ROPS. Do not use a seat belt if there is not ROPS. Check the seat belt daily and replace if frayed or damaged.
- Specified lift capacities must not be exceeded. See loader specifications.
- An operator must not use drugs or alcohol, which can change their alertness or coordination. An operator taking prescription or over-the-counter drugs should seek medical advice on whether or not they can safely operate equipment.
- Never use any of these attachments for a work platform or personnel carrier.
- Always check locking pins before tilting or operating any attachment.
- Keep all step plates, grab bars, pedals, and controls free of dirt, grease, debris, and oil.
- Never allow anyone to be around the equipment when it is operating.
- Do not allow riders on the attachment or the prime mover.
- Do not operate the equipment from anywhere other than the correct operator's position.
- Never leave equipment unattended with the prime mover's engine running, or with this attachment in a raised position.
- Do not handle round bales unless loader is equipped with approved bale handling attachments.
- Do not detach loader from tractor with any of these attachments installed. Equip loader with material bucket when detaching.
- Stop loader gradually when lowering or lifting loads
- Before exiting the prime mover, lower the attachment to the ground, apply the brakes, turn off the prime mover's engine, and remove the key.
- Do not alter or remove any safety feature from the prime mover or this attachment.
- Know your work site safety rules as well as traffic rules and flow. When in doubt on any safety issue, contact your supervisor or safety coordinator for an explanation.
- A heavy load can cause instability of the prime mover. Use extreme care during travel. Slow down on turns and watch out for bumps. The prime mover may need additional counter-weights to counter-balance the weight of the attachment.
- Do not heap load heavy material where the combined weight of the bucket and the material could exceed the rated lifting capacity of the loader.
- Be sure the load does not stick out too far in front of the bucket. A light load sticking out too far can have the same tipping effect as a heavy load carried in close.
- Do not exceed the lift capacity of your loader. See loader specifications.
- Make sure all loads are secure before lifting. If lifting with the grapple and the load appears to be unstable, lower the load, open the grapple and reposition the load to attain full stability.

# SAFETY INSTRUCTIONS (continued)

## WARNING!



### KNOW WHERE UTILITIES ARE

Observe overhead electrical and other utility lines. Be sure equipment will clear them. When digging, call your local utilities for location of buried utility lines, gas, water, and sewer, as well as any other hazard you may encounter. **Beware of low electrical wires when loader is raised. Serious injury or death can result if contact is made.**



### TRANSPORTING ALL ATTACHMENTS

- Travel only with the attachment as close to the ground as possible. Drive slowly over rough ground and on slopes.
- When driving on public roads use safety lights, reflectors, Slow Moving Vehicle signs etc., to prevent accidents. Check local government regulations that may affect you.
- Do not drive close to ditches, excavations, etc., cave in could result.
- When on a slope, keep the load low and proceed with extreme caution. Do not drive ACROSS a steep slope - drive straight up and down.
  - With a LOADED attachment - face the attachment and load uphill.
  - With an EMPTY attachment - face the attachment downhill.
- Avoid sudden starts and stops while traveling up or downhill. Avoid parking on a slope. Slow down on sharp turns and slopes to prevent tipping and/or loss of control. Avoid slopes when surface is wet, slippery grass or soil. Be careful when changing directions on slopes.
- Use extra care when loading or unloading unit onto trailer or truck. NEVER secure rods or linkages on unit that could be damaged when transporting.
- Do not smoke when refueling. Allow room in the gas tank for expansion. Wipe up any spilled fuel. Secure cap tightly when done.



### MAINTAINING ALL ATTACHMENTS

- Before working on this machine, drive to a level area, relieve hydraulic pressure, lower implement (or if working underneath, raise and block securely), shut off the engine, set the brakes, and remove the ignition keys. Relieve hydraulic pressure prior to doing any maintenance.
- Never work under equipment unless it is blocked securely. Never depend on hydraulic system to keep implement in raised position.
- Keep all persons away from operator control area while performing adjustments, service, or maintenance.
- Worn, damaged, or illegible safety decals must be replaced. New safety decals can be ordered from your dealer or from the manufacturer.



### STORAGE SAFETY

- Store the unit in an area away from human activity. Do not permit children to play on or around the stored unit.
- Make sure all parked machines are on a hard, level surface and engage all safety devices. Storage location should be level and solid to make connecting and unconnecting to prime mover easy.
- If blocking is used, make sure it is solid and secure before leaving area.



# SAFETY SIGNS

**⚠ WARNING**

TO AVOID SERIOUS INJURY OR DEATH:

- Read Operator's Manual before operating, servicing or repairing equipment. Follow all safety rules and instructions. (Manuals are available from your selling dealer.)
- Never allow riders.
- Keep bystanders away from equipment during operation.
- Operate from operator's seat only.
- Keep all shields in place and in good condition.
- Lower equipment to ground, stop engine, remove key and set brake before dismounting power unit.
- Never allow children or untrained persons to operate equipment.

FAILURE TO FOLLOW THESE INSTRUCTIONS CAN RESULT IN INJURY OR DEATH.

101289

**⚠ WARNING**



**CRUSHING AND PINCHING HAZARD**

- Be extremely careful with various parts of the machine. Moving parts can crush or pinch body parts.
- Operate controls from operator's seat only.
- Make sure parking brake is engaged before leaving operator's seat.
- Stand clear of machine while in operation or when it is being raised or lowered.

FAILURE TO FOLLOW THESE INSTRUCTIONS COULD RESULT IN SERIOUS INJURY OR DEATH.

101288

**⚠ WARNING**



**HIGH-PRESSURE FLUID HAZARD**

To prevent serious injury or death:

- Relieve pressure on system before repairing or adjusting or disconnecting.
- Wear proper hand and eye protection when searching for leaks. Use wood or cardboard instead of hands.
- Keep all components in good repair.

101122

## BE CAREFUL!

Use a clean, damp cloth to clean safety decals. Avoid spraying to close to decals when using a pressure washer; high-pressure water can enter through very small scratches or under edges of decals causing them to peel or come off.

**⚠ WARNING**



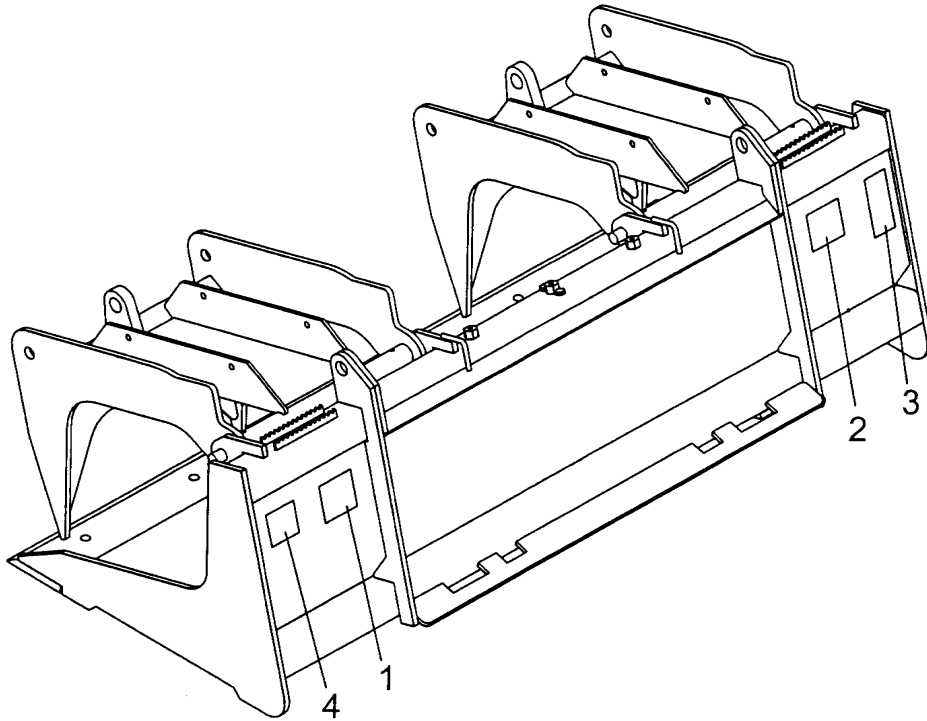
**Crush hazard.  
Keep clear.**

101295

**REMEMBER:** If Safety Signs have been damaged, removed, become illegible or parts replaced without Signs, new Safety Signs must be applied. New Safety Signs are available from your authorized distributor or factory.

# SAFETY SIGN LOCATION

The types of safety signs and locations on the equipment are shown in the illustration below. Good safety requires that you familiarize yourself with various safety signs, the type of warning and the area, or particular function related to that area, that requires your SAFETY AWARENESS.



Ref. No.	Part No.	Description	No. Req'd.
1	101289	Safety Sign - Warning (Avoid Serious Injury)	1
2	101295	Safety Sign - Warning (Crush Hazard)	1
3	101288	Safety Sign - Warning (Crushing and Pinching)	1
4	101122	Safety Sign - Warning (High-Pressure Fluid)	1

The model and serial number plate is located on the right side of the vertical part of the main frame.

The serial number is also stamped into the top cross tube of the skid steer mounting frame.

# INSTRUCTIONS

## TINE OR SCRAP GRAPPLE BUCKET INSTALLATION

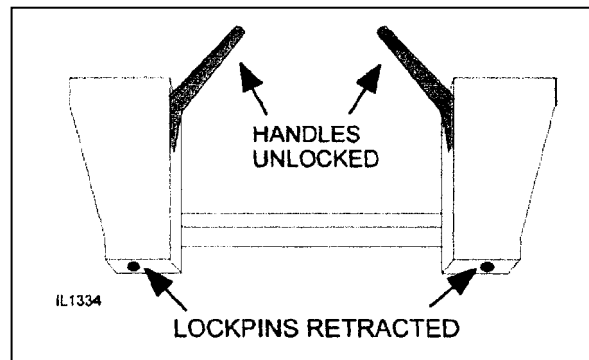
### Attachment to Prime Mover

#### **WARNING!**



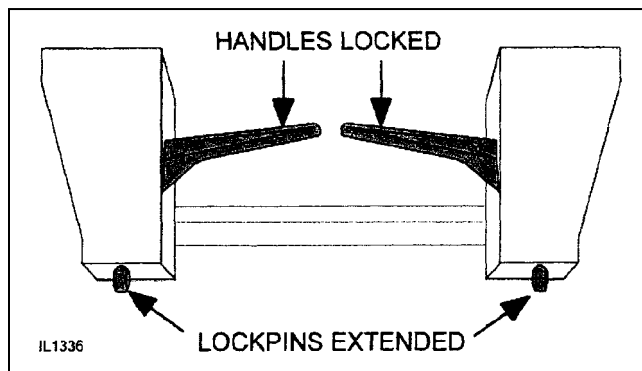
Improper attachment of the Tine or Scrap Grapple Bucket could result in injury or death. Do not operate this product until you have positive indication that the attachment is securely mounted.

1. Position the attachment on a level surface.
2. The quick attach coupler handles should be in the unlocked position with lock pins retracted, Figure 2.



**Figure 2.** Quick Attach Coupler Handles - Unlocked

3. Enter the prime mover. Fasten seatbelt, start engine. Disengage the parking brake.
4. Follow the attaching procedure in the prime mover owner's manual. Align the attachment mechanism with the mounting on the grapple bucket, attach to the prime mover or loader.
5. Engage the parking brake and shut down the prime mover. Be sure to relieve pressure to the auxiliary hydraulic lines.
6. Unfasten safety restraints and exit the prime mover.
7. Make sure the hydraulic couplers are clean. Connect the hydraulic lines to the prime mover. Twist the collar of the quick couplers one-quarter turn to secure hydraulic connections. If attachment unit is being installed on a tractor loader, purchase proper couplers and hoses as required and attach to the loader as per the manufacturers instructions.
8. Engage the latching mechanism to secure attachment to loader. The lockpins must be completely extended and secured into the retaining slots provided on the attachment. Figure 3.



**Figure 3.** Attachment Coupler Handles - Locked

#### **WARNING!**



Attachment coupler handles must always be rotated to LOCK POSITION to prevent coupler latch from disengaging and attachment from falling off.

# INSTRUCTIONS (continued)

## TINE OR SCRAP GRAPPLE BUCKET INSTALLATION

### Attachment to Prime Mover - (continued)

9. Re-enter the primer mover. Fasten seatbelt and re-start engine.
10. Carefully raise the loader and cycle the rollback/tilt cylinders to check clearances and to ensure that the attachment is securely mounted.
11. Cycle the grapple clamp hydraulic cylinders several times full stroke to work the air out of the cylinders.

**NOTICE:** When shipped, the hydraulic cylinder(s) on this product contained air. Failure to remove all the air from the hydraulic cylinder(s) can cause uneven, jerky cylinder movement when the hydraulic controls are operated and possibly allow unwanted cylinder movement when those controls are not being operated.

## REMOVING THE TINE OR SCRAP GRAPPLE BUCKET

### **WARNING!**



Serious injury or death may result from disengaging the attachment when the attachment is in an unstable position or carrying a load. Place the attachment in a stable position before disengaging.

### **CAUTION**



Hoses for the attachment must be disconnected before the quick attach is disengaged. Pulling the attachment with the hoses could result in damage to the prime mover or the attachment.

1. If possible, find a level solid location to place the attachment. This makes it easier to disconnect and to re-connect later on.
2. Lower the attachment to the ground.
3. Engage the parking brake and shut down the prime mover. Be sure to relieve pressure to the auxiliary hydraulic lines.
4. Unfasten safety restraints and exit prime mover.
5. Disconnect the attachment hydraulic lines from the prime mover. Connect quick couplers together to keep clean.
6. Disengage attachment-locking mechanism (mechanical type).
7. Enter prime mover, fasten safety restraints and start the prime mover.
8. Disengage attachment-locking mechanism (hydraulic type).
9. Disengage the parking brake, and back away from the attachment.

# OPERATING INSTRUCTIONS

---

The operator is responsible for the safe operation of this equipment. The operator must be properly trained. Operators should be familiar with the attachment, prime mover and all safety practices before starting operation. Make sure all operators have read the Owner's/Operator Manual and are familiar with the instructions and the safety rules of operation.

All reference to left, right, front, or rear are given from the operator's position, facing the direction of forward travel.

**NOTE: Watch for and avoid hidden obstructions, i.e., buried pipes, rocks, concrete piers, or uneven slabs of concrete, when operating, or attachment damage may occur. Stop prime mover and implement immediately upon striking an obstruction. Turn off engine, remove key, inspect, and repair any damage before resuming operation.**

The tine and scrap grapple buckets are designed to pick up bulky, unusually shaped, or long materials that would not stay in an ordinary bucket.

1. Approach the load so that the weight will be centered on the bottom of the bucket. The heaviest side should be closest to the back of the bucket and not near the bucket edge.
2. Before lifting, make certain the bucket is completely under the load and the bucket bottom is level or tilted back slightly.
3. Close the grapples as much as possible and lift the bucket slightly to be certain that the load is secure.

**NOTE: If the load appears to be unstable, lower the bucket to the ground, open the grapple clamps and reposition the load to attain full stability. Repeat until complete stability is achieved.**

When using the grapples as a rake to drag materials into position for pick up, THE GRAPPLE CLAMPS MUST BE COMPLETELY OPEN.

**NOTICE: Applying a raking-type force to partially open grapple clamps will greatly magnify the fluid pressure in the hydraulic hoses, fittings, and cylinders and may cause component failure.**

## WARNING!



- Never heap load heavy material where the combined weight of the attachment and material could exceed the rated lifting capacity of the loader.
- Operate the attachment only when properly seated at the operator's station.
- Do not exceed the lift capacity of your loader. See loader specifications.
- Do not handle round bales.
- Be sure the load does not stick out too far in front of the bucket. A light load sticking out too far can have the same unbalanced or tipping effect as a heavy load carried in close.
- When using the grapple, lift the load slightly and make sure that the load is secure. If the load appears to be unstable, lower the load, open the grapple and reposition the load to attain full stability.
- Reduce speed when driving over rough terrain, on a slope, or turning, to avoid overturning the vehicle.
- Avoid side slope travel whenever possible. Drive up the slope to pick up a load and then down in reverse. Carry loads as close to the ground as possible.
- Before exiting the prime mover, lower the bucket to the ground, turn off the prime mover's engine, remove the key and apply the brakes.
- Do not detach loader from tractor with this attachment installed. Equip loader with materials bucket when detaching.

# OPERATING INSTRUCTIONS (continued)

## During Use

### WARNING!



Avoid serious injury.

- **THE GRAPPLE MOVES QUICKLY!** Do not allow anyone near the grapples.
- Never get between the grapple and the bucket.
- Do not lift any load that is taller than the height of the fully opened grapple.
- Do not roll back this product so far that the load falls off toward or on the operator.
- When stacking debris or loading vehicles, make sure you are operating in an area **AWAY FROM OVERHEAD WIRES**.
- Avoid holes, ditches, and obstructions which may cause prime mover to tip.
- Never allow anyone to walk or work under a raised loader.
- Operate the loader hydraulic controls smoothly, avoiding jerky operation.
- Stop loader gradually when lowering or lifting loads.
- Be sure that people, livestock, or pets are not standing near the machine while operating.
- Do not lift or carry anyone on loader or in bucket or attachment.

## Transporting the Load

### WARNING!



Avoid serious injury.

- Raise the load to the minimum height required for the terrain that must be crossed with the load.
- Operate the prime mover so that the load always remains level.
- Accelerate, turn, and brake gradually.
- Avoid any obstacles, bumps, or holes in your intended path.
- Frequently check the load to make sure that the load has not become unstable.

## Storage

- Storage location should be level and solid to make connecting and disconnecting easy.
- Always store in a clean, dry location away from children and livestock.
- Leaving the unit outside will materially shorten its life.
- Clean the unit thoroughly, removing all mud, dirt and grease.
- Inspect for visible signs of wear, breakage, or damage. Order any parts required, and make the necessary repairs to avoid delays when starting the next job.
- Tighten loose nuts, capscrews, and hydraulic connections.
- Cap hydraulic couplers to protect against contaminants.
- Touch up all unpainted surfaces with paint, to prevent rust.
- Coat the exposed portions of the cylinder rod with grease.
- Grease the unit.

# OWNER SERVICE

---

## WARNING!



**NEVER GO UNDERNEATH EQUIPMENT.** Never place any part of the body underneath equipment or between moveable parts even when the engine has been turned off. Hydraulic system leak down, hydraulic system failures, mechanical failures, or movement of control levers can cause equipment to drop or rotate unexpectedly and cause severe injury or death.

Read Manual for service instructions or have service performed by a qualified dealer.

## WARNING!



Keep all persons away from operator control area while performing adjustments, service, or maintenance.

Before dismounting power unit or performing any service or maintenance, follow these steps: disengage power to equipment, lower all raised components to the ground, operate valve levers to release any hydraulic pressure, set parking brake, stop engine, remove key, and unfasten seat belt. Never leave equipment unattended with engine running.

## General Information

Your attachment was designed to be almost maintenance free. Little effort is needed to keep it in top condition. It is, however, important to follow these procedures to get full performance and longevity out of the equipment.

**IMPORTANT:** When replacing parts, use only factory approved replacement parts. Manufacturer will not claim responsibility for use of unapproved parts or accessories and/or other damages as a result of their use.

## Lubrication

The lubrication your Grapple Bucket will need is the greasing of the grapple clamp pivot tube. Two grease fittings have been installed in each clamp pivot tube to facilitate this task.

We recommend greasing these fittings both before and after the initial eight (8) hours of use and then every (40) hours of use thereafter.

Thoroughly clean the grease zerks before servicing. Dirt mixed with lubricant will rapidly wear parts. Keep it clean.

# SERVICE INSTRUCTIONS (continued)

## DAILY OR EVERY 8 HOURS OF OPERATION

Replace any missing bolts or nuts with approved replacement parts.  
Check hydraulic system for leaks. See procedure below.  
Visually inspect the machine for worn parts or cracked welds. Repair as necessary.

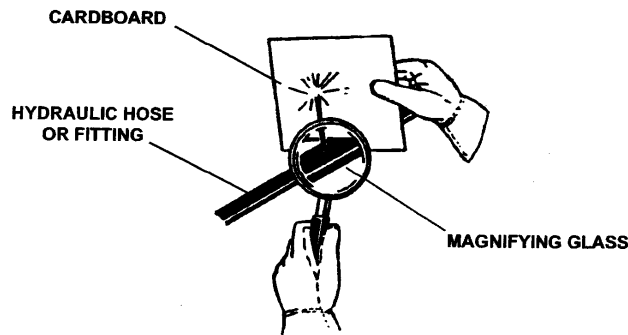
### WARNING!



Escaping fluid under pressure can have sufficient force to penetrate the skin, causing serious personal injury. Fluid escaping from a very small hole can be almost invisible. Use a piece of cardboard or wood, rather than hands to search for suspected leaks.

Keep unprotected body parts, such as face, eyes, and arms as far away as possible from a suspected leak. Flesh injected with hydraulic fluid may develop gangrene or other permanent disabilities.

If injured by injected fluid, see a doctor at once. If your doctor is not familiar with this type of injury, ask him or her to research it immediately to determine proper treatment.



## SAFETY SIGN IDENTIFICATION AND REPLACEMENT

Safety Sign placement and identification for all of the attachments can be found on the parts diagrams and lists located at the back of this manual. The safety signs are identified by their part numbers with reductions of the actual safety signs located on the page. Use this information to order replacements for missing, illegible or damaged safety signs. When replacing parts with safety signs attached, the safety sign must also be replaced. All Safety Signs are free of charge. Contact your local dealer or manufacturer for replacements.

### Replacing Safety Signs

1. Clean the area of application with nonflammable solvent.
2. Wash the same area with soap and water.
3. Allow the surface to fully dry.
4. Remove the backing from the safety sign exposing the adhesive surface.
5. Apply the safety sign to the location shown in the parts diagram.
6. Smooth out any bubbles.

*Helpful Hints: (1) Decals adhere to a warm surface better than a cold surface. (2) Applying heat (from a hair dryer) will greatly improve your ability to remove a damaged decal before preparing the surface for installation of a new one.*

### WARNING!



### DO NOT MODIFY MACHINE OR ATTACHMENTS

Modifications may weaken the integrity of the and may impair the function, safety, life, and performance of the attachment. When making repairs, use only the manufacturer's genuine parts, following authorized instructions. Other parts may be substandard in fit and quality. Never modify any ROPS (Roll Over Protection Structure) or FOPS (Falling Object Protective Structure) equipment or device. Any modifications must be authorized in writing by the manufacturer.



# **SERVICE INSTRUCTIONS (continued)**

## **INSTALLATION OR REPLACING OPTIONAL CUTTING EDGE ON SCRAP GRAPPLE BUCKET**

The Scrap Grapple Bucket can be equipped with an optional reversible  $\frac{3}{4}$ " X 8" cutting edge. See parts list for length and part number for your model.

1. Raise the Scrap Grapple Bucket about 10" - 12".
2. Place a 6" X 6" block under both ends of the bucket about 10" behind the welded leading edge of the bucket. Then lower the bucket so it rests securely on the blocks.
3. Place two smaller blocks under the cutting edge so when the cutting edge is loose from the bucket it doesn't fall on the ground. (These blocks will also support the cutting edge when bolting it back on the bucket).

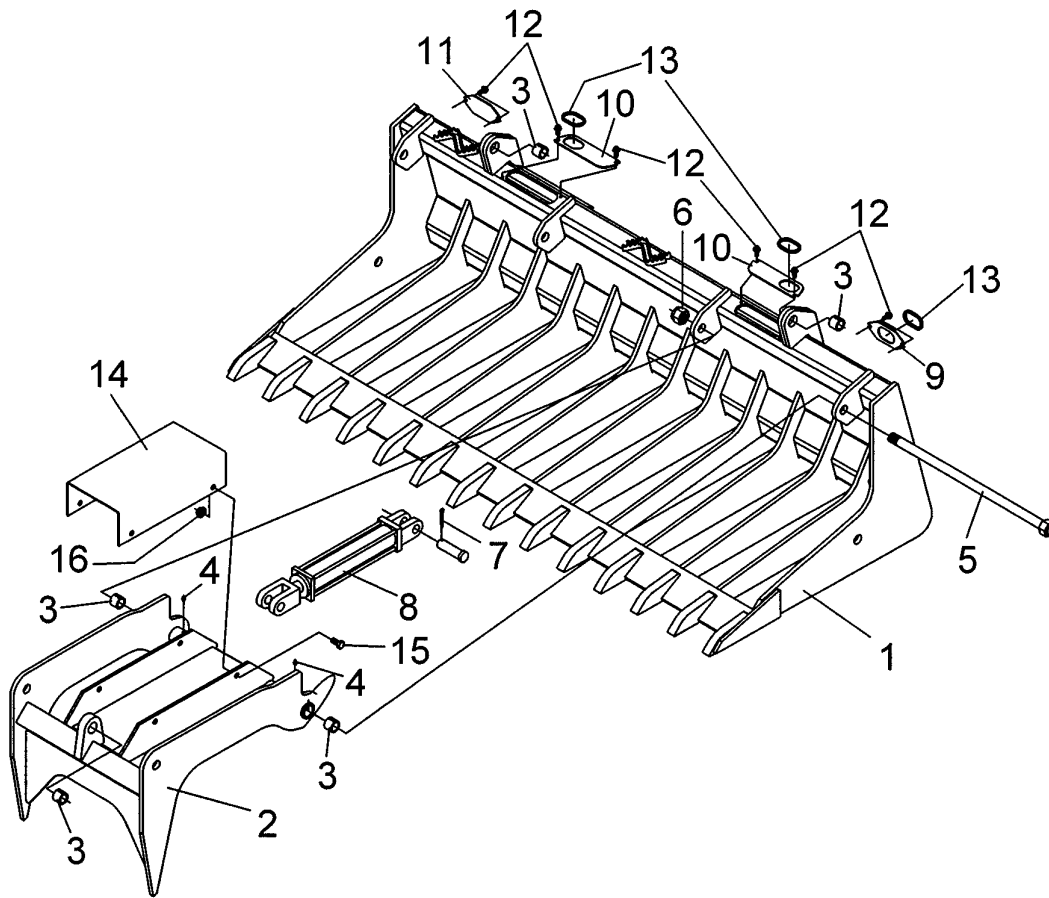
**NOTE: Do not block the machine any higher than necessary to remove or install the cutting edge.**

4. Refer to parts drawings/schematics on page 19 for proper parts identification. Remove the  $\frac{3}{4}$ " hex nuts and plow bolts that secure the cutting edge to the bucket. Turn the cutting edge end for end and use the new edge or replace it if both edges have been used.
5. Attach the cutting edge to the scrap bucket and secure with the plow bolts and hex nuts previously removed.

**NOTE: If the plow bolts or hex nuts are worn, replace with new ones.**

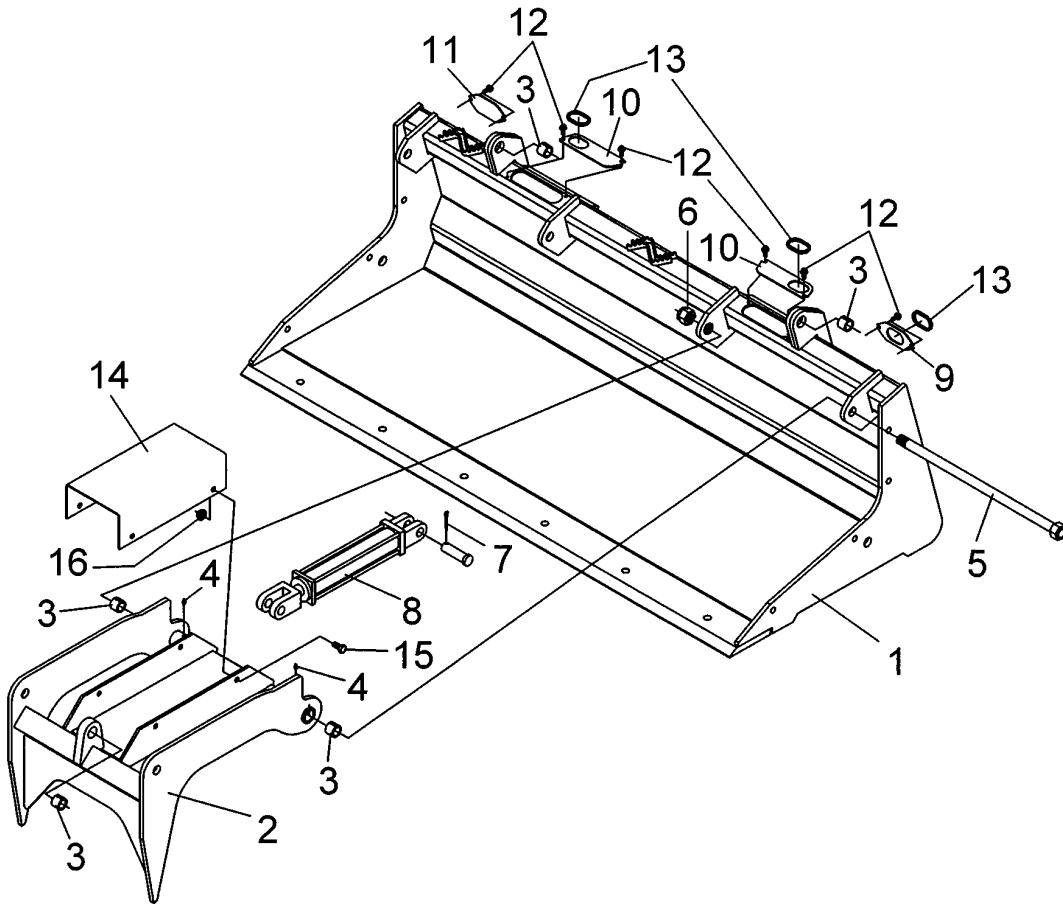
6. Torque the hex nuts to specifications given in bolt torque chart, page 22.

# LPTG-72/78/84 PARTS LIST



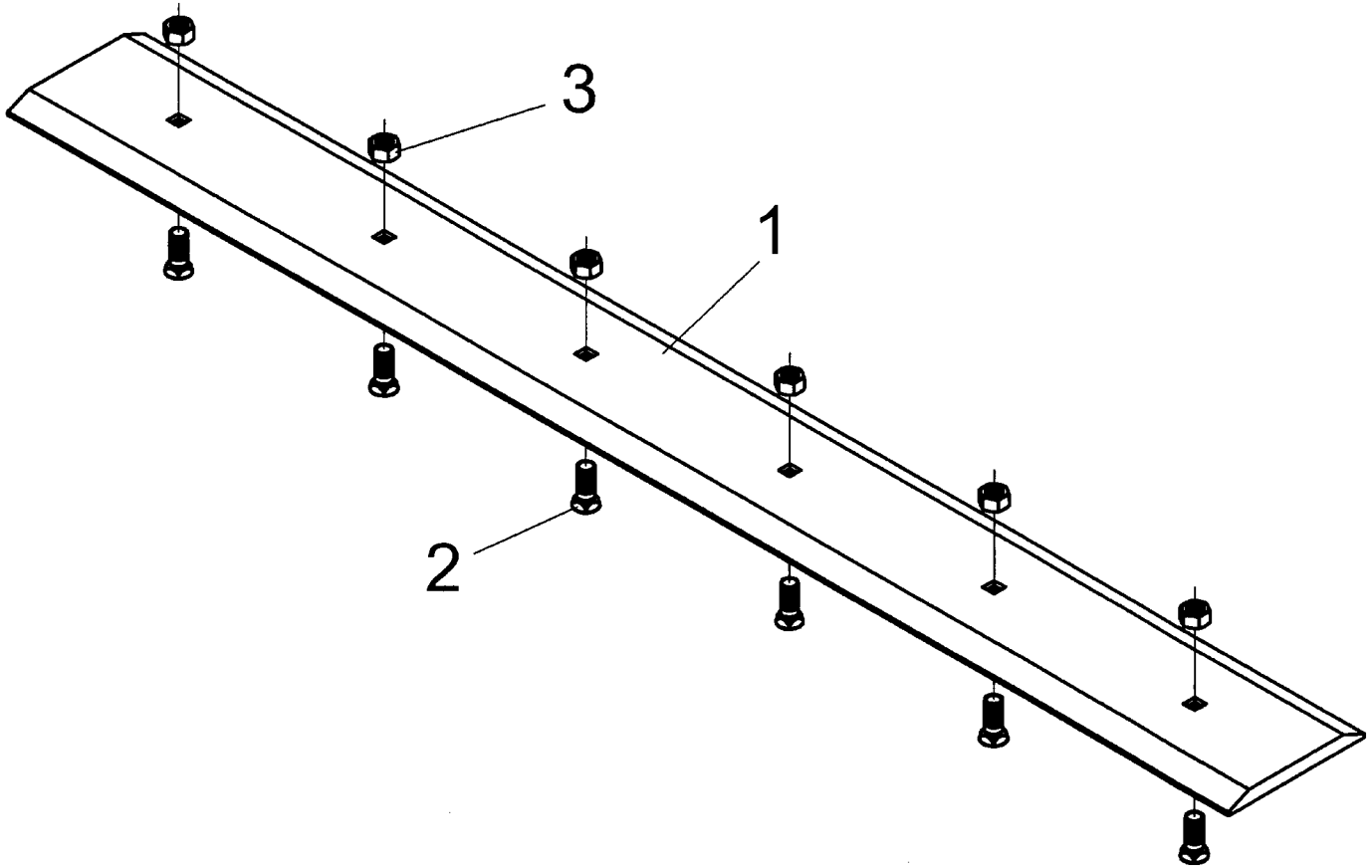
Ref. No.	Part No.	Description	No. Req'd.
1	811808	Main Weldment (LPTG-72)	1
	811809	Main Weldment (LPTG-78)	1
	811810	Main Weldment (LPTG-84)	1
2	811765	Clamp Weldment w/Bushings & Zerks	2
3	2505035	Spring Bushing (1 1/4" x 1" x 1")	8
4	2504049	Drive Zerk 5/16"	4
5	811770	Pivot Shaft Weldment	2
6	2500045	Nut 1"-8NC Hex Nylock	2
7	2504121	Pin, Cotter 3/16" x 1 1/2"	4
8	2504230	Hydraulic Cylinder 2 x 8	2
9	811785	Plate, Short Grommet Cover	1
10	811789	Plate, Long Grommet Cover	2
11	811797	Plate, Blank Cover	1
12	2503356	Screw, Thread Cutting 5/16"-18NC x 3/4" Slotted Hex Head	8
13	2505790	Grommet	3
14	811788	Cylinder Guard	2
15	2503062	Bolt 1/2"-13NC x 1" Hex Head Gr. 2	8
16	2500040	Nut 1/2"-13NC Whiz Flange	8
N/S	101122	Safety Sign - Warning (Hi-Pressure)	1
N/S	101288	Safety Sign - Warning (Crush/Pinch)	1
N/S	101289	Safety Sign - Warning (Injury)	1
N/S	101295	Safety Sign - Warning (Crushing Hazard)	1

# LPSB-72/78/84 PARTS LIST



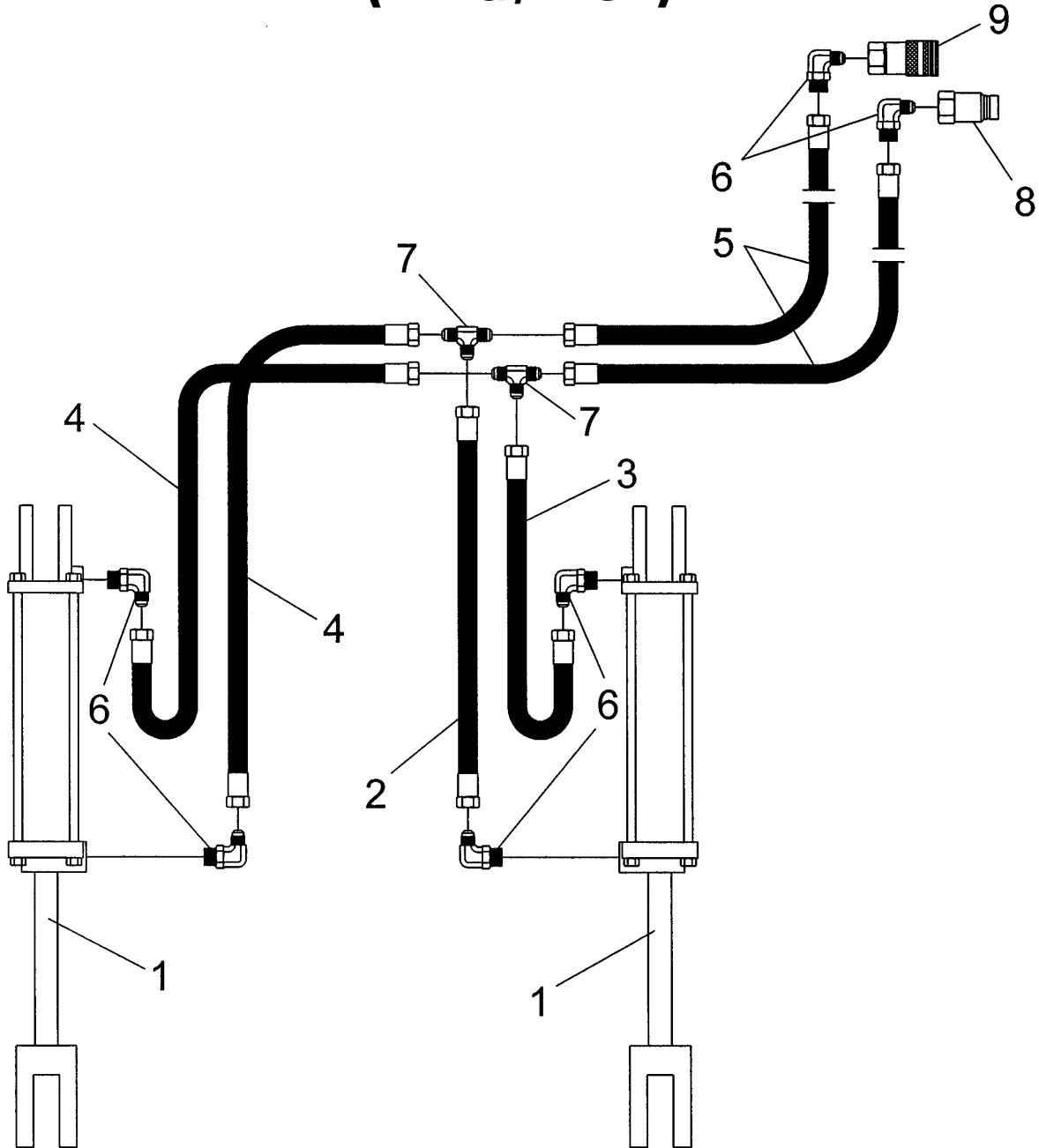
Ref. No.	Part No.	Description	No. Req'd.
1	811811	Main Weldment (LPSB-72)	1
	811812	Main Weldment (LPSB-78)	1
	811813	Main Weldment (LPSB-84)	1
2	811765	Clamp Weldment w/Bushings & Zerks	2
3	2505035	Spring Bushing (1 1/4" x 1" x 1")	8
4	2504049	Drive Zerk 5/16"	4
5	811770	Pivot Shaft Weldment	2
6	2500045	Nut 1"-8NC Hex Nylock	2
7	2504121	Pin, Cotter 3/16" x 1 1/2"	4
8	2504230	Hydraulic Cylinder 2 x 8	2
9	811785	Plate, Short Grommet Cover	1
10	811789	Plate, Long Grommet Cover	2
11	811797	Plate, Blank Cover	1
12	2503356	Screw, Thread Cutting 5/16"-18NC x 3/4" Slotted Hex Head	8
13	2505790	Grommet	3
14	811788	Cylinder Guard	2
15	2503062	Bolt 1/2"-13NC x 1" Hex Head Gr. 2	8
16	2500040	Nut 1/2"-13NC Whiz Flange	8
N/S	101122	Safety Sign - Warning (Hi-Pressure)	1
N/S	101288	Safety Sign - Warning (Crush/Pinch)	1
N/S	101289	Safety Sign - Warning (Injury)	1
N/S	101295	Safety Sign - Warning (Crushing Hazard)	1

# REPLACEMENT BLADE KIT PARTS LIST



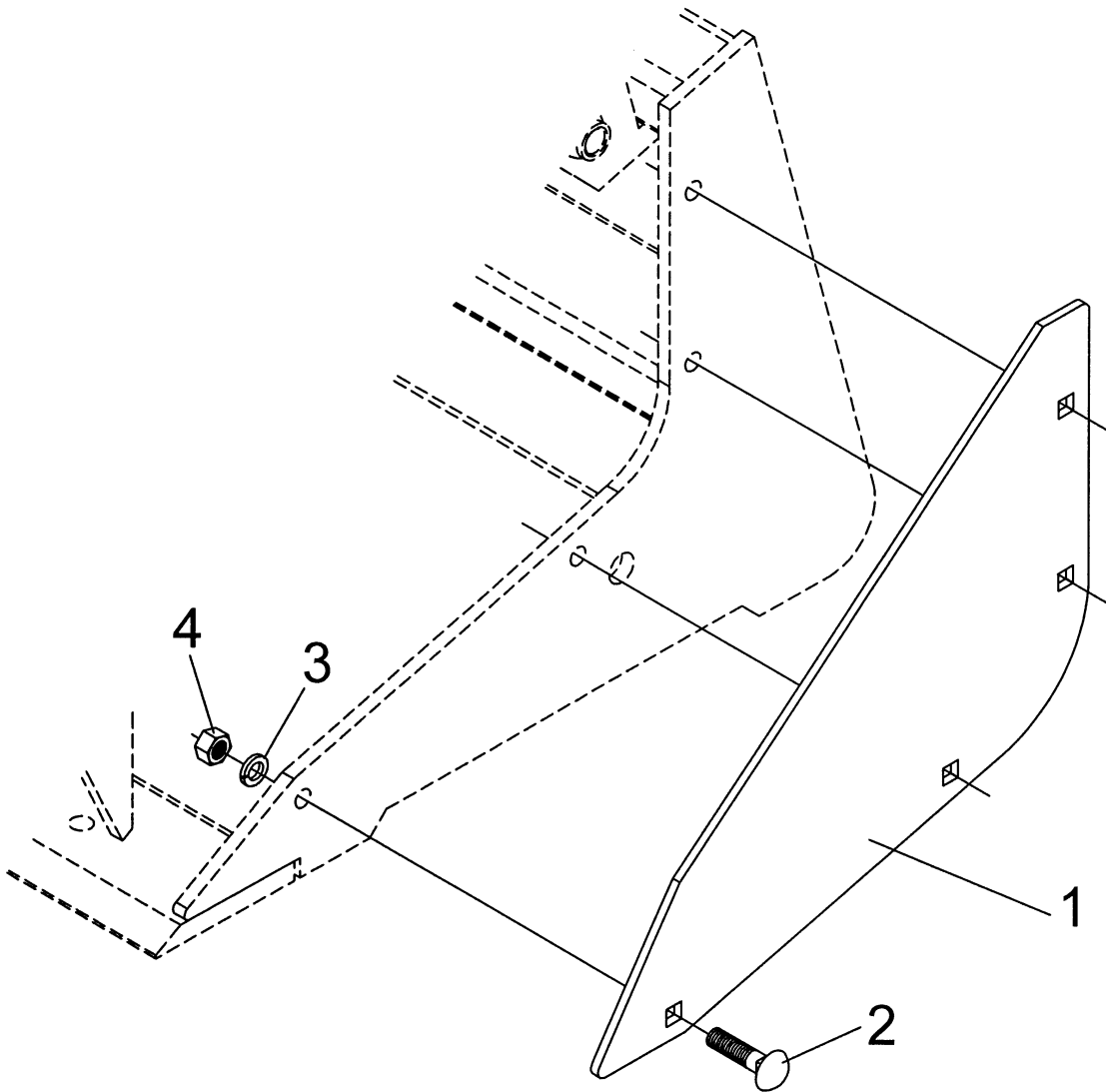
Ref. No.	Part No.	Description	No. Req'd.
1	811791	Cutting Edge 3/4" x 8" x 72" DB (LFSB-72)	1
	811831	Cutting Edge 3/4" x 8" x 78" DB (LFSB-78)	1
	811871	Cutting Edge 3/4" x 8" x 84" DB (LFSB-84)	1
2	2503325	Bolt 3/4"-10NC x 2" #3 Plow Head Gr. 5	Var.
3	2500095	Nut 3/4"-10NC Stamplock Hex Gr. 5	Var.

# HYDRAULIC DIAGRAM & PARTS LIST (LPTG / LPSB)



Ref. No.	Part No.	Description	No. Req'd.
1	2504230	Hydraulic Cylinder 2 x 8	2
2	2505796	Hose, Hydraulic 1/4" ID x 18"	1
3	2505794	Hose, Hydraulic 1/4" ID x 28"	1
4	2505791	Hose, Hydraulic 1/4" ID x 54"	2
5	2505679	Hose, Hydraulic 1/4" ID x 84"	2
6	2505681	Elbow, 90° Adj. 9/16"-18 to 3/4"-16	6
7	2505685	Tee, Tube 9/16"-18	2
8	2505688	Coupling, SAE 1/2" Male - 3/4"-16 O-Ring	1
9	2505689	Coupling, SAE 1/2" Female - 3/4"-16 O-Ring	1

## OPTIONAL END PLATE KIT FOR LPSB's



Ref. No.	Part No.	Description	No. Req'd.
1	811796	End Plate (LPSB's)	2
2	2503200	Bolt 5/8"-11NC x 1 1/2" Carriage Head Gr. 5	8
3	2502007	Washer 5/8" Spring Lock	8
4	2500013	Nut 5/8"-11NC Full Hex	8

# BOLT TORQUE CHART

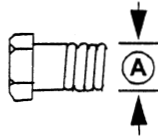
Always tighten hardware to these values unless a different torque value or tightening procedure is listed for a specific application.

Fasteners must always be replaced with the same grade as specified in the manual parts list.

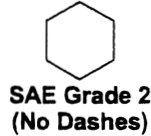
Always use the proper tool for tightening hardware: SAE for SAE hardware and Metric for metric hardware.

Make sure fastener threads are clean and you start thread engagement properly.

All torque values are given to specifications used on hardware defined by SAE J1701 & J1701M JUL96.



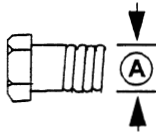
## SAE SERIES TORQUE CHART



SAE Bolt Head Identification



A Diameter (Inches)	Wrench Size	MARKING ON HEAD					
		SAE 2		SAE 5		SAE 8	
		lbs-ft	N-m	lbs-ft	N-m	lbs-ft	N-m
1/4"	7/16"	6	8	10	13	14	18
5/16"	1/2"	12	17	19	26	27	37
3/8"	9/16"	23	31	35	47	49	67
7/16"	5/8"	36	48	55	75	78	106
1/2"	3/4"	55	75	85	115	120	163
9/16"	13/16"	78	106	121	164	171	232
5/8"	15/16"	110	149	170	230	240	325
3/4"	1-1/8"	192	261	297	403	420	569
7/8"	1-5/16"	306	416	474	642	669	907
1"	1-1/2"	467	634	722	979	1020	1383



## METRIC SERIES TORQUE CHART

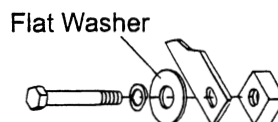
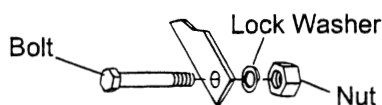


Metric Bolt Head Identification



A Diameter & Thread Pitch (Millimeters)	Wrench Size	COARSE THREAD				FINE THREAD				A Diameter & Thread Pitch (Millimeters)
		MARKING ON HEAD				MARKING ON HEAD				
		Metric 8.8		Metric 10.9		Metric 8.8		Metric 10.9		
		N-m	lbs-ft	N-m	lbs-ft	N-m	lbs-ft	N-m	lbs-ft	
6 x 1.0	10 mm	8	6	11	8	8	6	11	8	6 x 1.0
8 x 1.25	13 mm	20	15	27	20	21	16	29	22	8 x 1.0
10 x 1.5	16 mm	39	29	54	40	41	30	57	42	10 x 1.25
12 x 1.75	18 mm	68	50	94	70	75	55	103	76	12 x 1.25
14 x 2.0	21 mm	109	80	151	111	118	87	163	120	14 x 1.5
16 x 2.0	24 mm	169	125	234	173	181	133	250	184	16 x 1.5
18 x 2.5	27 mm	234	172	323	239	263	194	363	268	18 x 1.5
20 x 2.5	30 mm	330	244	457	337	367	270	507	374	20 x 1.5
22 x 2.5	34 mm	451	332	623	460	495	365	684	505	22 x 1.5
24 x 3.0	36 mm	571	421	790	583	623	459	861	635	24 x 2.0
30 x 3.0	46 mm	1175	867	1626	1199	1258	928	1740	1283	30 x 2.0

### Typical Washer Installations



8/9/00

# SAFETY REQUIREMENTS

AVOID ACCIDENTS BY FOLLOWING ALL OF THE SAFETY REQUIREMENTS LISTED BELOW.

- Machinery should be operated only by those who are responsible and are authorized to do so.
- Stop the engine, lower all equipment, lock the brakes, and remove the ignition key before dismounting from the skid steer or tractor.
- Never stand between skid steer and attachment while power unit is being connected to the attachment.
- Loose fitting clothing should not be worn, to avoid catching on various parts.
- Detach attachment in area where children normally do not play.
- When performing adjustments or maintenance on an attachment, first lower it to the ground or block it securely at a workable height.
- Only a qualified operator should be permitted on power unit when in operation; no riders allowed.
- Make certain everyone is in the clear before starting power unit or raising or lowering equipment.
- Operate the power unit and attachment only while seated in the driver's seat.
- Reduce speed when transporting mounted attachments to avoid bouncing and momentary loss of steering control.
- A heavy load can cause instability of the power unit. Use extreme care during road travel. Slow down on turns and watch out for bumps. Power unit may need counterweights to counter-balance the weight of the attachment.
- Reduce speed on hillsides or curves so there is no danger of tipping.
- Avoid driving too close to the edge of ditches or drop offs.
- Do not transport implement on public roads without reflectors and slow moving vehicle emblem in daylight and with approved warning lights at night and other periods of poor visibility.
- Keep work area clear of all debris. Never assume an area is clear. ALWAYS CHECK.
- Check to make certain there are no buried utilities in the work area before starting work.
- Keep alert and watch the front as well as the rear when working with the attachment.

## OWNER'S/ OPERATOR'S MANUAL

## MODEL NO.'s

**LPTG-72**

**LPTG-78**

**LPTG-84**

**LPSB-72**

**LPSB-78**

**LPSB-84**

MARCH 2015

## SKID STEER TINE & SCRAP GRAPPLE BUCKETS

WHEN ORDERING REPAIR PARTS,  
ALWAYS GIVE THE FOLLOWING INFORMATION:

1. PART NUMBER
2. PART DESCRIPTION
3. MODEL NUMBER
4. NAME OF ITEM

**MAKE EVERY DAY  
A HOLIDAY  
FROM ACCIDENTS!**

**WORKSAVER, INC.**

P.O. BOX 100 LITCHFIELD, IL 62056-0100 (217) 324-5973  
WEB: <http://www.worksaver.com> E-MAIL: [sales@worksaver.com](mailto:sales@worksaver.com)