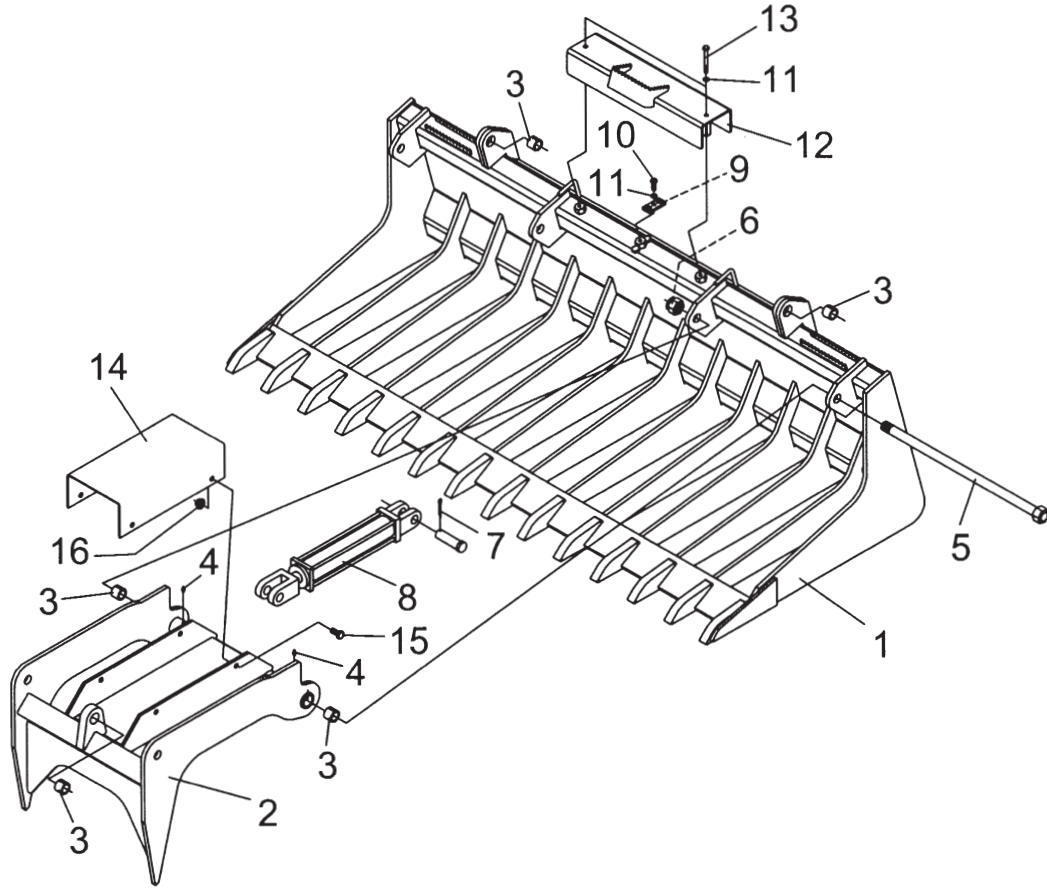


# LPTG-72/78/84 PARTS LIST



Ref. No.	Part No.	Description	No. Req'd.
1	811751	Main Weldment (LPTG-72)	1
	811801	Main Weldment (LPTG-78)	1
	811841	Main Weldment (LPTG-84)	1
2	811765	Clamp Weldment w/Bushings & Zerks	2
3	2505035	Spring Bushing (1 1/4" x 1" x 1")	8
4	2504049	Drive Zerk 5/16"	4
5	811770	Pivot Shaft Weldment	2
6	2500045	Nut 1"-8NC Hex Nylock	2
7	2504007	Pin, Cotter 3/16" x 1 3/4"	4
8	2504230	Hydraulic Cylinder	2
9	2504241	Hold-Down Plate	1
10	2503011	Bolt 3/8"-16NC x 1" Hex Head Gr. 2	1
11	2502008	Washer 3/8" Springlock	3
12	811776	Hose Guard w/Step	1
13	2503072	Bolt 3/8"-16NC x 3" Hex Head Gr. 5	2
14	811788	Cylinder Guard	2
15	2503062	Bolt 1/2"-13NC x 1" Hex Head Gr. 2	8
16	2500040	Nut 1/2"-13NC Whiz Flange	8
N/S	101122	Safety Sign - Warning (Hi-Pressure)	1
N/S	101288	Safety Sign - Warning (Crush/Pinch)	1
N/S	101289	Safety Sign - Warning (Injury)	1
N/S	101295	Safety Sign - Warning (Crushing Hazard)	1