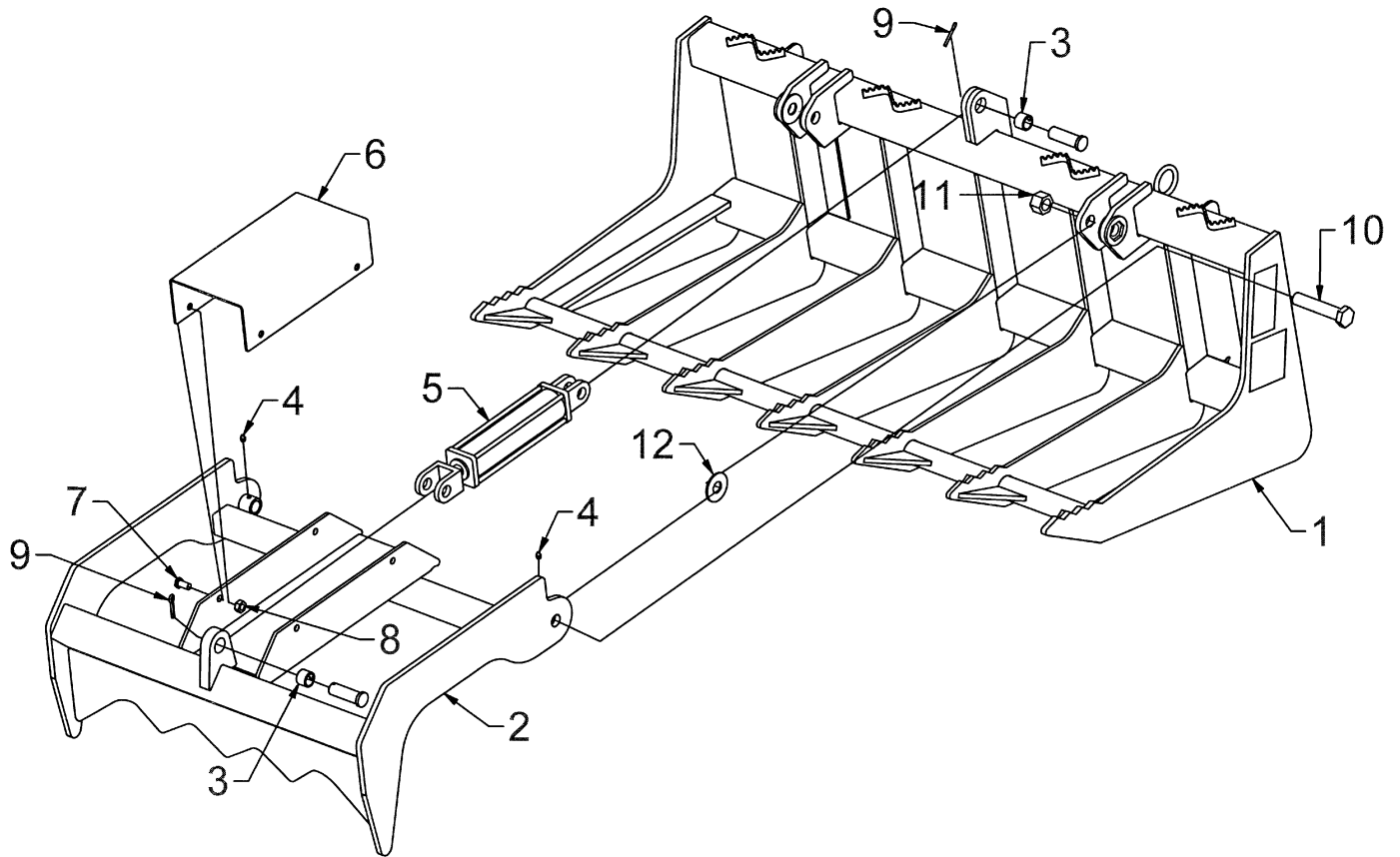


# ETG-5 and ETG-6 PARTS LIST



Ref. No.	Part No.	Description	No. Req'd.
1	811021	Main Weldment (ETG-60)	1
	811026	Main Weldment (ETG-72)	1
2	811030	Clamp Weldment w/Bushing and Zerks	1
3	2505035	Spring Bushing (1-1/4" x 1" x 1")	2
4	2504049	Drive Zerk 5/16"	2
5	2504230	Hydraulic Cylinder	1
6	811788	Cylinder Guard	1
7	2503062	Bolt 1/2"-13NC x 1" Hex Head Gr. 2	4
8	2500040	Nut 1/2"-13NC Whiz Flange	4
9	2504007	Pin, Cotter 3/16" x 1-3/4"	2
10	2503310	Bolt 1"-8NC x 5" Hex Head Gr. 5	2
11	2500045	Nut 1"-8NC Nylock	2
12	2501001	Washer, Flat 1"	2