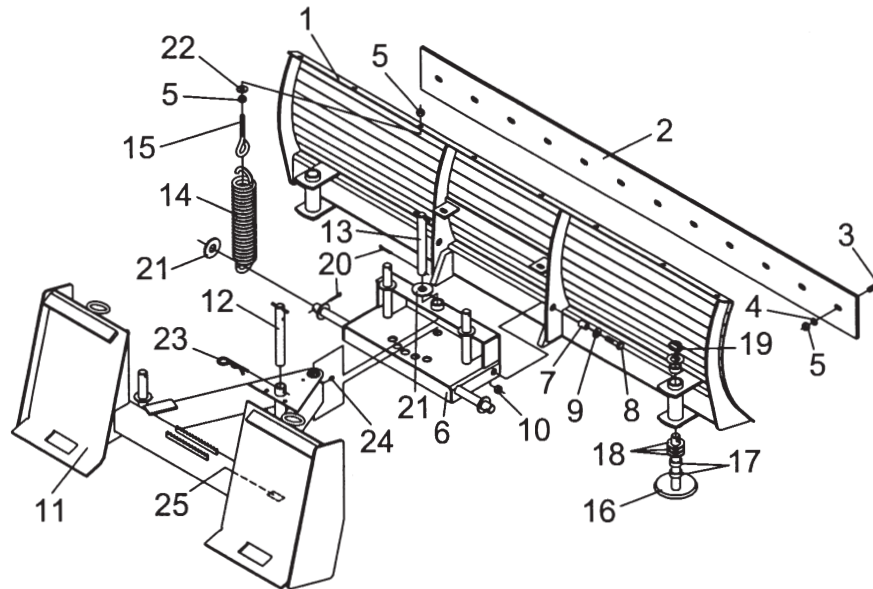


# SKID STEER MOUNT SNOW BLADE PARTS DRAWING

(Models SBS-2160 and 2172)



Ref. No.	Part No.	Description	No. Req'd.
1	360101	Moldboard Assembly w/Cutting Edge 60"	1
	360131	Moldboard Assembly w/Cutting Edge 72"	1
2	360104	Cutting Edge - 60"	1
	360110	Cutting Edge - 72"	1
3	2503102	Bolt 1/2"-13NC x 1 1/2" Carriage Head	Var.
4	2502002	Washer 1/2" Springlock	Var.
5	2500003	Nut 1/2"-13NC Full Hex	Var.
6	360146	Pivot Box Weldment	1
7	2504249	Bushing, Pivot (3/4" OD x 5/8" ID x 1" Lg.)	2
8	2503152	Bolt 5/8"-11NC x 2" Hex Head Gr. 5	2
9	2501005	Washer 5/8" Flat	2
10	2500094	Nut 5/8"-11NC Hex Toplock	2
11	360105	Skid Steer/A-Frame Weldment	1
12	360060	Adjustment Pin Assembly	1
13	360062	Main Pivot Pin Assembly	1
14	2504248	Spring, Extension 2 3/4" OD x 14" Lg.	2
15	2503328	Eye Bolt 1/2"-13NC x 4 3/8"	2
16	346751	Skid Shoe Weldment	2
17	346749	Spacer, Adjustment 3/4"	6
18	2501034	Washer 1 1/4" SAE Flat	8
19	590006	Linch Pin 7/16" (AK-14)	2
20	2504068	Cotter Pin 1/4" x 1 3/4"	3
21	2501014	Washer 1" Flat	3
22	2501003	Washer 1/2" Flat	2
23	590000	Clip, Hair Pin 1/4" (A-74740)	1
24	2504049	Drive Zerk 5/16"	1
25	101386	Serial Number Plate - SBS-2160 (located on tube)	1
	101387	Serial Number Plate - SBS-2172 (located on tube)	1