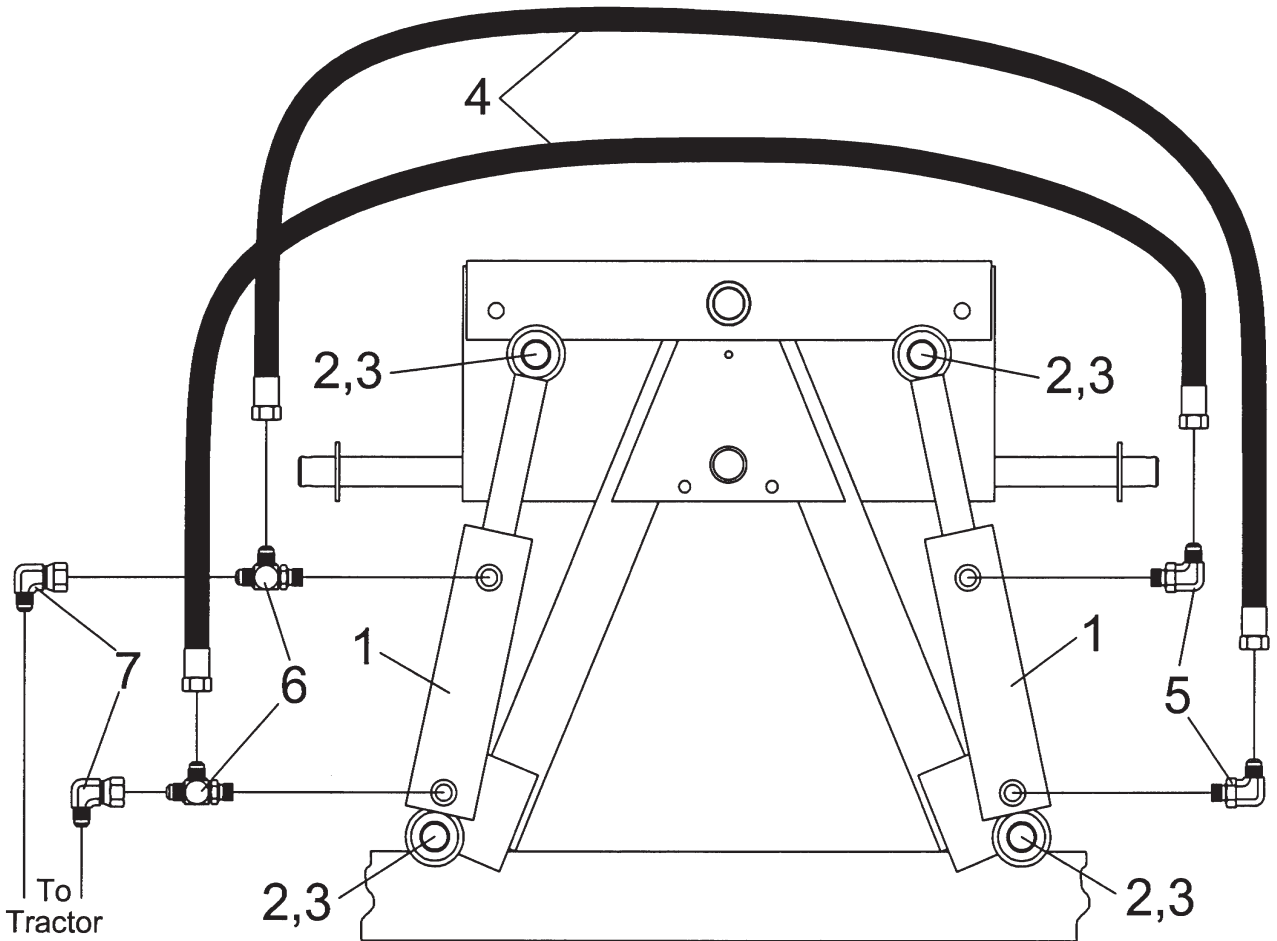


OPTIONAL HYDRAULIC ANGLE KIT (#360170) For Compact Tractor Front Loader Applications For Small Skid Steer Power Units

(Models 2160 and 2172 Blades)



(Note: Hose ends must be 9/16"-18 JIC Female)

Ref. No.	Part No.	Description	No. Req'd.
1	360195	Hydraulic Cylinder 2 x 6 1/2	2
2	2504068	Cotter Pin 1/4" x 1 3/4"	4
3	2501001	Washer 1" Flat	4
4	2505672	Hose, Hydraulic 1/4" ID x 30"	2
5	2505712	Elbow, 90° Adj. 9/16"-18 (JIC) to 9/16"-18 (ORB)	2
6	2505711	Tee, Adjustable 9/16"-18	2
7	2505682	Elbow, 90° Swivel 9/16"-18	2