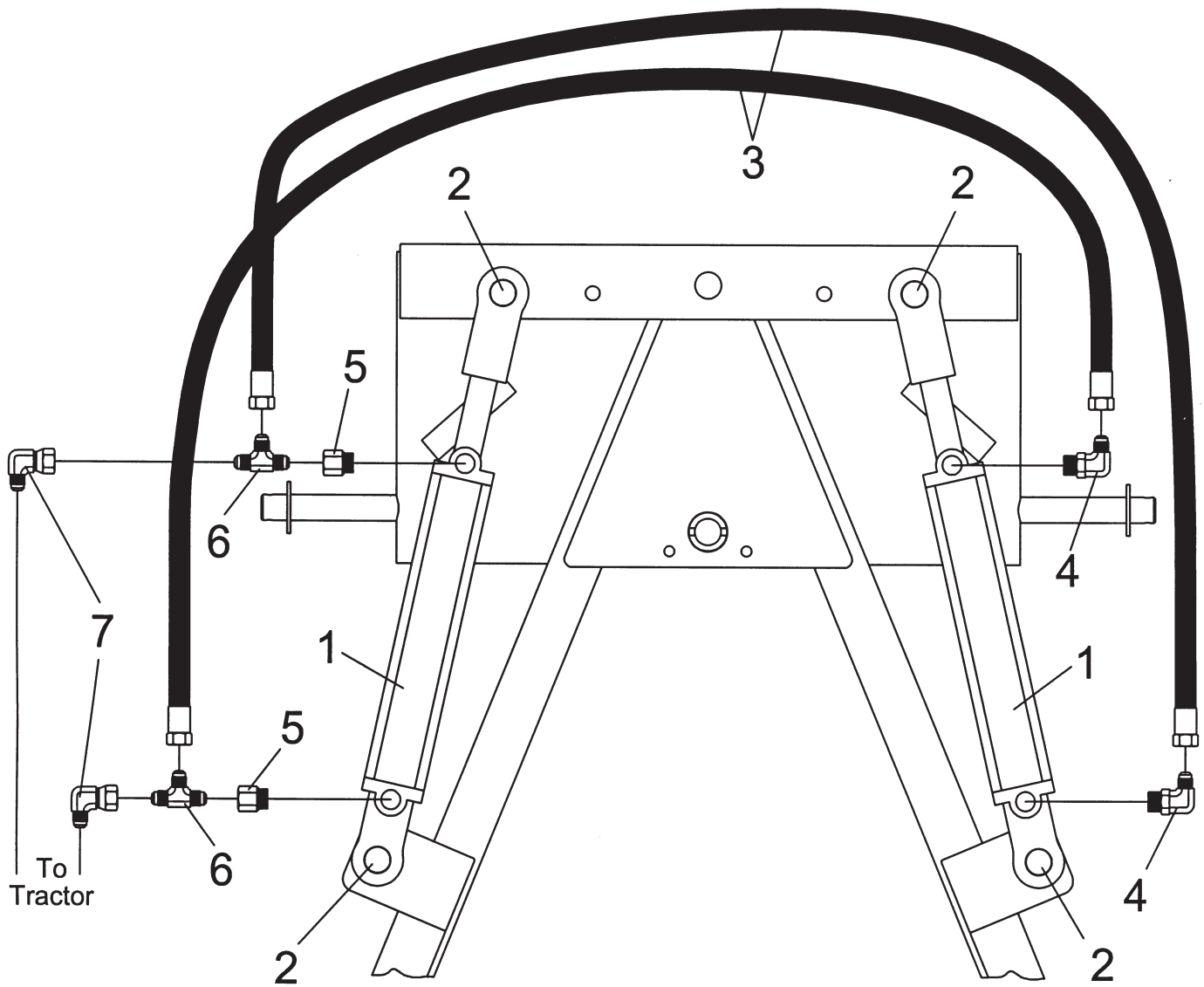


# OPTIONAL HYDRAULIC ANGLE KIT (#360168) For Tractor Front Loader Applications

(For Model SBFL-2790A only)



Ref. No.	Part No.	Description	No. Req'd.
1	2504230	Hydraulic Cylinder 2 x 8	2
2	2504007	Cotter Pin 3/16" x 1 3/4"	4
3	2505673	Hose, Hydraulic 1/4" ID x 36"	2
4	2505681	Elbow, 90° Adj. 9/16"-18 to 3/4"-16	2
5	2505710	Bushing 3/4"-16 to 9/16"-18	2
6	2505711	Tee, Adjustable 9/16"-18	2
7	2505682	Elbow, 90° Swivel 9/16"-18	2