



From Worksaver, Inc.

Professional Grade Attachments — Built for Hard Work!

Sweep Action Rock Grapples

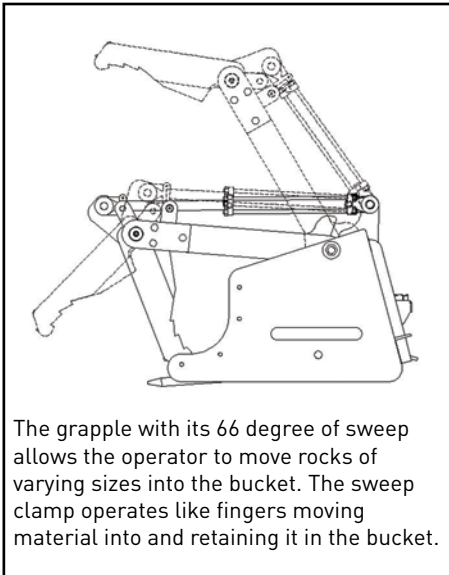
Handling Rocks and So Much More



www.wssitepro.com

Engineered, Designed and Manufactured in the USA

Patent Pending



The grapple with its 66 degree of sweep allows the operator to move rocks of varying sizes into the bucket. The sweep clamp operates like fingers moving material into and retaining it in the bucket.



Bolt-on side plates hold smaller rocks in the bucket. They can be removed from the bucket to allow the grapple to handle logs and stumps.

Sweep Action Rock Grapples

We are taking a different approach to the way rock grapples work, the Sweep Action Rock Grapple from SitePro makes life easier. With its patent pending design, this grapple allows the operator to own one tool to sort large or small debris, resulting in low cost of ownership. The front grapple operates in a sweeping action to pull rock or debris into the unit. Grapple design retains the rocks or debris, allowing the operator to rock the attachment to sift dirt out of the material. Rocks, brush, logs, stumps, debris or scrap, this grapple handles them all. Models for standard skid steers and mini skid steers are available.



Model	72	84	42
Overall Width (in/mm)	72 / 1829	84 / 2134	42 / 1067
Bucket Depth (in/mm)	34 / 864	34 / 864	26 / 660
Upper Grapple Width (in/mm)	34 / 864	40 / 1016	39 / 991
Grapple Opening (in/mm)	45 / 1143	45 / 1143	21 / 533
Degrees of Sweep	66	66	66
Tine Diameter (in/mm)	1.25 / 31.75	1.25 / 31.75	1 / 25.4
Removeable End Plates	Yes	Yes	Yes
Mount Type	"Unv" Skid Steer	"Unv" Skid Steer	Mini Skid "Unv"
Weight (lbs/kg)	1194 / 542	1375 / 624	445 / 202
Product No.	812120	812160	812230



Caution — A heavy load can cause your power unit to tip over. When moving heavy loads, keep the load as close to the ground as possible, go slowly around turns, and be sure the front or rear of power unit is properly counterbalanced with weights.

Caution — Operators must read & understand operator's manual, particularly the safety warnings and instructions. **The operator is responsible for safety of themselves and others when operating equipment.**

SitePro® has a corporate policy of continuous product improvement and development; therefore, specifications are subject to change without any advance notice.

SitePro® is not responsible for differences between specifications or illustrations contained in this publication and the actual equipment.



**Professional Grade
Attachments –
Built for Hard Work!**



From Work saver, Inc.

www.wssitepro.com
E-mail: sales@wssitepro.com
Phone: 217-324-5973
Litchfield, IL 62056-0100