

OWNER'S/ OPERATOR'S MANUAL

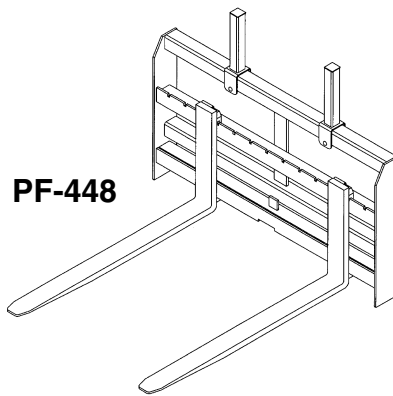
MODEL NO.'s

PF-448
SSPF-442
SSPF-448
JDPF-5442
JDPF-5448
JDPF-6748
GLPF-442
GLPF-448
GLPF-5548

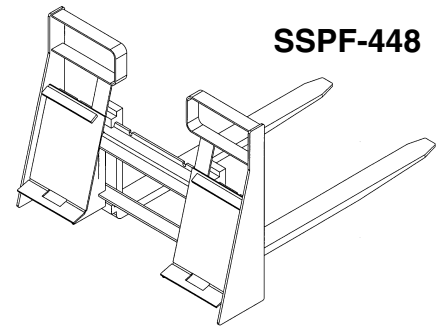
CAUTION

For Safe Operation
Read Rules And
Instructions Carefully

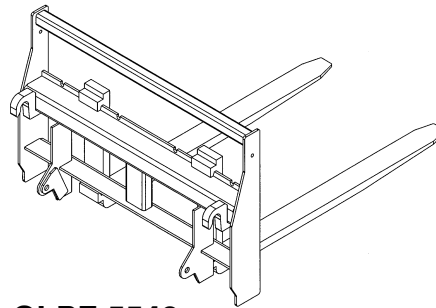
SINO LEEINGLES, PIDA AYUDA
A AIGUIEN QUE SI LO LEA
PARA QUE LE TRADUZCA LAS
MEDIDAS DE SEGURIDAD.



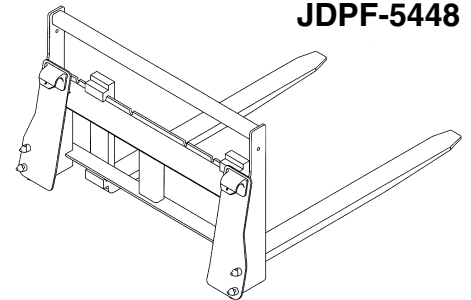
PF-448



SSPF-448



GLPF-5548



JDPF-5448

PALLET FORK FOR SKID STEER TRACTOR FRONT LOADERS

Safety Instructions
Tractor Preparation
Operating Instructions

Assembly & Mounting
Maintenance
Repair Parts

CAUTION

**THE FOLLOWING SAFETY PRECAUTIONS SHOULD BE THOROUGHLY UNDERSTOOD
BEFORE ATTEMPTING TO BEGIN ASSEMBLING THIS MACHINE**

1. Select an area for assembly that is clean and free of any debris which might cause persons working on the assembly to trip.
2. Do not lift heavy parts or assemblies. Use crane, jack, tackle, fork trucks or other mechanical devices.
3. Preview the assembly instructions in your operator's manual before proceeding further.
4. If the assembly instructions call for parts or assemblies to be blocked up, use only blocking material that is in good condition and is capable of handling the weight of the assembly to be blocked. Also insure that the blocking material is on a clean, dry surface.
5. Never put hands, or any part of body, under blocked up assemblies if at all possible.
6. After completing assembly, thoroughly inspect the machine to be sure that all nuts, bolts, hydraulic fittings or any other fastened assemblies have been thoroughly tightened.
7. Before operating the machine, thoroughly read the operation section of your operator's manual.
8. Before operating, read the maintenance section of your operator's manual to be sure that any parts requiring lubrication, such as gearboxes, are full, to avoid any possible damage.
9. **Before operating equipment – If you have any questions regarding the proper assembly or operation, contact your dealer or representative.**

TABLE OF CONTENTS

SINO LEEINGLES, PIDA AYUDA A AIGUIEN QUE SI LO LEA PARA QUE LE TRADUZCA LAS MEDIDAS DE SEGURIDAD.

WARRANTY	2
SAFETY INFORMATION	3 - 10
SAFETY SIGNS	11
INSTRUCTIONS	12 - 19
PARTS DRAWINGS/LISTS	20 - 24

STATEMENT OF POLICY

It is the policy of Worksaver, Inc. to improve its products where it is possible and practical to do so. Worksaver, Inc. reserves the right to make changes or improvements in design and construction at any time, without incurring the obligation to make these changes on previously manufactured units.

TO THE OWNER:

Read this manual before using your Pallet Fork. This manual is provided to give you the necessary operating and maintenance instructions for keeping your Loader Fork in top operating condition. Please read this manual thoroughly. Understand what each control is for and how to use it. Observe all safety signs on the machine and noted throughout the manual for safe operation of implement. Keep this manual handy for ready reference.

Like all mechanical products, it will require cleaning and upkeep.

Use only genuine Worksaver, Inc. service parts. Substitute parts will void the warranty and may not meet standards required for safe and satisfactory operation. Record the model and serial number of your Pallet Fork here:

Model: _____ Serial Number: _____

RETAIL CUSTOMER'S RESPONSIBILITY

It is the Retail Customer and/or Operator's responsibility to read the Operator's Manual, to operate, lubricate, maintain, and store the product in accordance with all instructions and safety procedures. Failure of the operator to read the Operator's Manual is a misuse of this equipment.

It is the Retail Customer and/or Operator's responsibility to inspect the product and to have any part(s) repaired or replaced when continued operation would cause damage or excessive wear to other parts or cause a safety hazard.

It is the Retail Customer's responsibility to deliver the product to the authorized Worksaver Dealer, from whom he purchased it, for service or replacement of defective parts which are covered by warranty. Repairs to be submitted for warranty consideration must be made within forty-five (45) days of failure.

It is the Retail Customer's responsibility for any cost incurred by the Dealer for traveling to or hauling of the product for the purpose of performing a warranty obligation or inspection.

LIMITED WARRANTY

Worksaver warrants to the original purchaser of any new Pallet Fork (Models PF-448, SSPF-442, SSPF-448, JDPF-5442, JDPF-5448, JDPF-6748, GLPF-442, GLPF-448 and GLPF-5548), that the equipment be free from defects in material and workmanship for a period of six (6) months for non-commercial, state, and municipalities. Use sixty (60) days for commercial use from date of retail sale.

Replacement or repair parts installed in the equipment covered by this warranty are warranted for sixty (60) days from the date of purchase of such part or to the expiration of the applicable new equipment warranty period, whichever occurs later.

Such parts shall be provided at no cost to the user during regular working hours. Worksaver reserves the right to inspect any equipment or parts which are claimed to have been defective in material or workmanship.

DISCLAIMER OF IMPLIED WARRANTIES & CONSEQUENTIAL DAMAGES

Worksaver's obligation under this warranty, to the extent allowed by law, is in lieu of all warranties, implied or expressed, including implied warranties of merchantability and fitness for a particular purpose and any liability for incidental and consequential damages with respect to the sale or use of the items warranted. Such incidental and consequential damages shall include but not be limited to: transportation charges other than normal freight charges; cost of installation other than cost approved by Worksaver; duty; taxes; charges for normal service or adjustments; loss of crops or any other loss of income; rental of substitute equipment, expenses due to loss, damage, detention or delay in the delivery of equipment or parts resulting from acts beyond the control of Worksaver.

THIS WARRANTY SHALL NOT APPLY:

1. To vendor items which carry their own warranties, such as hydraulic cylinders, tires, and tubes.
2. If the unit has been subjected to misapplication, abuse, misuse, negligence, fire or other accident.
3. If parts not made or supplied by Worksaver have been used in connection with the unit, if, in sole judgement of Worksaver such use affects its performance, stability, or reliability.
4. If the unit has been altered or repaired outside of an authorized Worksaver dealership in a manner which, in the sole judgement of Worksaver affects its performance, stability or reliability.
5. To normal maintenance service and normal replacement items such as bent forks, hydraulic fluid, worn blades, or to normal deterioration of such things as belts and exterior finish, due to use or exposure.
6. To expendable or wear items such as teeth, chains, sprockets, latch parts, springs and other items that in the company's sole judgement is a wear item.

NO EMPLOYEE OR REPRESENTATIVE OF WORKSAVER IS AUTHORIZED TO CHANGE THIS WARRANTY IN ANY WAY OR GRANT ANY OTHER WARRANTY UNLESS SUCH CHANGE IS MADE IN WRITING AND SIGNED BY WORKSAVER'S SERVICE MANAGER, POST OFFICE BOX 100, LITCHFIELD, ILLINOIS 62056-0100.

To the Owner/Operator/Dealer

All implements with moving parts are potentially hazardous. There is no substitute for a cautious, safe-minded operator who recognizes the potential hazards and follows reasonable safety practices. The manufacturer has designed this implement to be used with all its safety equipment properly attached to minimize the chance of accidents.

BEFORE YOU START!!

**Read the safety messages on the implement and shown in your manual.
Observe the rules of safety and common sense!**



THIS SYMBOL MEANS

- ATTENTION!
- BECOME ALERT!
- YOUR SAFETY IS INVOLVED!

THIS SAFETY ALERT SYMBOL IDENTIFIES IMPORTANT SAFETY WARNING MESSAGES. CAREFULLY READ EACH WARNING MESSAGE THAT FOLLOWS. FAILURE TO UNDERSTAND AND OBEY A SAFETY WARNING, OR RECOGNIZE A SAFETY HAZARD, COULD RESULT IN AN INJURY OR DEATH TO YOU OR OTHERS AROUND YOU. THE OPERATOR IS ULTIMATELY RESPONSIBLE FOR THE SAFETY OF HIMSELF, AS WELL AS OTHERS, IN THE OPERATING AREA OF THE SKID STEER UNIT OR TRACTOR AND ATTACHED EQUIPMENT.

UNDERSTAND SIGNAL WORDS

Note the use of the signal words **DANGER**, **WARNING** and **CAUTION** with the safety messages. The appropriate signal word for each has been selected using the following guidelines:

DANGER: Indicates an imminently hazardous situation that, if not avoided, will result in death or serious injury. This signal word is to be limited to the most extreme situations typically for machine components which, for functional purposes, cannot be guarded.

WARNING: Indicates a potentially hazardous situation that, if not avoided, could result in death or serious injury, and includes hazards that are exposed when guards are removed. It may also be used to alert against unsafe practices.

CAUTION: Indicates a potentially hazardous situation that, if not avoided, may result in minor or moderate injury. It may also be used to alert against unsafe practices.

If you have questions not answered in this manual or require additional copies or the manual is damaged, please contact your dealer or the manufacturer directly.

IMPORTANT SAFETY INFORMATION!

Working with unfamiliar equipment can lead to careless injuries. Read this manual, and the manual for your tractor, skid steer, or forklift, before assembly or operating, to acquaint yourself with the machines. It is the implement owner's responsibility, if this machine is used by any person other than yourself, is loaned or rented, to make certain that the operator, prior to operating:

1. Reads and understands the operator's manuals.
2. Is instructed in safe and proper use.





The use of this equipment is subject to certain hazards which cannot be protected against by mechanical means or product design. All operators of this equipment must read and understand this entire manual, paying particular attention to safety and operating instructions, prior to using. If there is something in this manual you do not understand, ask your supervisor, or your dealer, to explain it to you.


SAFETY INSTRUCTIONS (continued)





EQUIPMENT SAFETY GUIDELINES


-  Safety of the operator is one of the main concerns in designing and developing a new piece of equipment. Designers and manufacturers build in as many safety features as possible. However, every year many accidents occur which could have been avoided by a few seconds of thought and a more careful approach to handling equipment. You, the operator, can avoid many accidents by observing the following precautions in this section. To avoid personal injury, study the following precautions and insist those working with you, or for you, follow them. Review the safety instructions with all users annually.


-  This equipment is dangerous to children and persons unfamiliar with its operation. The operator should be a responsible adult familiar with farm machinery and trained in this equipment's operations. **Do not allow persons to operate or assemble this unit until they have read this manual and have developed a thorough understanding of the safety precautions and of how it works.**


-  Never use alcoholic beverages or drugs which can hinder alertness or coordination while operating this equipment. Consult your doctor about operating this machine while taking prescription medications.


-  Replace any CAUTION, WARNING, DANGER or instruction safety sign that is not readable or is missing. Location of such safety signs is indicated in this booklet. Do not paint over, remove or deface any safety signs or warning signs on your equipment. Observe all safety signs and practice the instruction on them.

-  Only use a tractor equipped with a ROPS cab or rollover protective structure. Keep foldable ROPS systems in "locked up" position at all times. Keep seat belt fastened.

-  Never exceed the limits of a piece of machinery. If its ability to do a job, or to do so safely, is in question – **DON'T TRY IT.**

-  Do not modify the equipment in any way. Unauthorized modification may impair the function and/or safety and could affect the life of the equipment.

-  Know your controls and how to stop skid steer, tractor, engine, and loader quickly in an emergency. Read this manual and the one provided with your tractor or skid steer.

-  In addition to the design and configuration of this implement, including Safety Signs and Safety Equipment, hazard control and accident prevention are dependent upon the awareness, concern, prudence, and proper training of personnel involved in the operation, transport, maintenance, and storage of the machine. Refer also to Safety Messages and Operation Instructions in each of the appropriate sections of the Tractor, Skid Steer, and Implement Manuals. Pay close attention to the Safety Signs affixed to the Tractor, Skid Steer, and the Implement.

SAFETY INSTRUCTIONS (continued)



OPERATIONAL SAFETY



The use of this equipment is subject to certain hazards which cannot be protected against by mechanical means or product design. All operators of this equipment must read and understand this entire manual, paying particular attention to safety and operating instructions, prior to using. If there is something in this manual you do not understand, ask your supervisor, or your dealer, to explain it to you.



Most accidents occur because of neglect or carelessness. Keep all helpers and bystanders fifty feet (50') from an operating power unit and attached equipment. Only properly trained people should operate this machine. It is recommended the tractor be equipped with a Rollover Protection System (ROPS) and a seat belt that is used. Always stop the tractor, skid steer, or forklift, set brake, shut off the engine, remove the ignition key, and lower loader and attachment to the ground before dismounting. Never leave equipment unattended with the engine running.



Please remember it is important that you read and heed the safety signs on the front loader attachment and loader, and the safety rules set forth. Clean or replace all safety signs if they cannot be clearly read and understood. They are there for your safety as well as the safety of others. The safe use of this machine is strictly up to you, the operator.



Be sure power unit is in good condition. Read all the safety precautions and make sure all operators are familiar with the safety rules of operation.



Know your controls and how to stop the power unit and engine quickly in an emergency. **READ THIS MANUAL AND THE ONE PROVIDED WITH YOUR TRACTOR AND LOADER, SKID STEER OR FORKLIFT.**



When the use of hand tools is required to perform any part of assembly, installation, adjustment, maintaining, repairing, removal, or moving the implement, be sure the tools used are designed and recommended by the tool manufacturer for that specific task.



Personal protection equipment including safety glasses, safety shoes, and gloves are recommended during assembly, installation, operation, adjustment, maintaining, repairing, removal, or moving the attachment.



Always use two people to handle heavy, unwieldy components during assembly, installation, removal, or moving the loader attachment.



Never place any part of your body where it would be in danger if movement should occur during assembly, installation, operation, maintaining, repairing, removal, or moving the implement.



The use of any loader attachment is NOT recommended on tractor with a tricycle wheel arrangement. Tricycle type tractors are unstable for front loader use.



A heavy load can cause instability in driving a power unit. Make sure the front or rear of the power unit is properly counter-balanced with weights. Always drive slowly – especially around turns. An unstable power unit could steer badly and possibly tip over, causing injury or death.





Do not allow others to ride on the power unit with an operator. Riders are subject to injury such as being struck by foreign objects or being thrown off. Riders obstruct the operator's view resulting in unsafe operation. **Never allow anyone to ride on the implement!**


SAFETY INSTRUCTIONS (continued)





OPERATIONAL SAFETY (continued)


-  Before you operate any equipment, check over all pins, bolts and connections to be sure all are securely in place. Replace any damaged or worn parts immediately.


-  Check that this attachment is securely mounted to the loader. Failure to install lock pins or have the latching mechanism engage could result in injury or death.


-  Do not work under a raised loader unless it is securely blocked or held in position. Do not depend on the power unit hydraulic system to hold the implement in place.


-  Operate the loader controls smoothly, avoiding jerky operation. Stop loader gradually when lowering or lifting loads.


-  Beware of low electrical wires when loader is raised. Serious injury or death can result if contact is made.


-  When handling material on a slope, always approach the material with the power unit facing uphill.


-  When stacking material, ALWAYS MAKE SURE MATERIAL IS PLACED SO THE STACK IS STABLE.

-  Keep all bystanders at a safe distance. REMEMBER FALLING ITEMS CAN ROLL OR TUMBLE.

-  Do not handle loads that exceed the weight limitations of the loader.

-  Carry the loads slowly and as low as possible to the ground. Avoid excessive speed during operation.

-  For operator safety, always keep load in front of power unit. NEVER position load back over operator. ALWAYS BE CAREFUL!

-  Keep alert and watch the rear as well as the front when working with the loader. Beware of lift clearance when raising loader to maximum height.

SAFETY INSTRUCTIONS (continued)



OPERATIONAL SAFETY (continued)



Be certain the power unit is in neutral or park position before starting engine.



Always shut off power unit and shift to “Park” or set brakes when leaving unit. Always lower bucket or attachment to ground, relieve all hydraulic pressure. Remove key when leaving equipment unattended. Park in level area.



Operate loader from operator’s seat only. Remain at controls until operating cycle is complete.



Use extreme care when working on inclines and hillsides. Do not operate close to ditches, creeks or holes. Slow down when operating over rough ground.



When maneuvering close to buildings or passing through narrow areas, be sure to allow sufficient clearance for the power unit, loader, and load. Drive slowly. Allow for additional length of loader and load on power unit while turning.



Keep load centered on attachment and loader. Unbalanced loads increase possibility of tipping or roll-over.



Never allow anyone to walk or work under a raised loader.



Be sure that people, livestock, or pets are not standing near the machine while operating.



Do not lift or carry anyone on loader or in bucket or on attachment. Do not use loader for a work platform.



ALWAYS lower loader to the ground or block securely before performing any maintenance work.



Always keep power unit on solid footing when operating loader.



Observe Safety Recommendations in loader instruction manual.

















Inspect the entire machine periodically as indicated in the Maintenance Section of this manual. Look for loose fasteners, worn or broken parts, pinched hydraulic hoses, and leaky or loose fittings. Make sure all pins have cotter pins and washers. Serious injury may occur from not maintaining this machine in good working order.

SAFETY INSTRUCTIONS (continued)



TRANSPORT SAFETY

-  Comply with state and local laws governing highway safety and movement of farm machinery on public roads.
-  The use of flashing amber lights is acceptable in most localities. However, some localities prohibit their use. Local laws should be checked for all highway lighting and marking requirements.
-  When driving the tractor and equipment on the road or highway under 20 mph (32 kph) at night or during the day, use flashing amber warning lights and a slow moving vehicle (SMV) identification emblem.
-  Always be sure the implement is in the proper raised position for transport.
-  Reduce speed when transporting mounted implements to avoid bouncing and momentary loss of steering control.
-  Plan your route to avoid heavy traffic.
-  Do not drink and drive!
-  Watch for traffic when operating near or crossing roadways.
-  Turn curves or go up or down hills only at a low speed and at a gradual steering angle. Make certain that at least 20% of the tractor's weight is on the front wheels to maintain safe steering. Slow down on rough or uneven surfaces, and loose gravel.
-  Use extreme care and maintain minimum ground speed when transporting on hillside, over rough ground and when operating close to ditches or fences. Be careful when turning sharp corners.
-  Never allow riders on either power unit or implement. Falling off can kill.
-  Be a safe and courteous driver. Always yield to oncoming traffic in all situations, including narrow bridges, intersections, etc.
-  Do not exceed 20 mph (32 kph). Reduce speed on rough roads and surfaces.
-  Always disengage PTO before driving the tractor to transport the implement from one place to another.

SAFETY INSTRUCTIONS (continued)



MAINTENANCE SAFETY

Good maintenance is your responsibility. Poor maintenance is an invitation to trouble.



Before working on this machine, drive to a level area, disengage the PTO, lower implement or loader (or if working underneath, raise and block securely), shut off the engine, relieve all hydraulic pressure, set the brakes, and remove the ignition keys.



Never work under equipment unless it is blocked securely. Never depend on hydraulic system to keep implement in raised position.



Do not use blocking made of concrete blocks, logs, buckets, barrels or any other material that could suddenly collapse or shift positions. Use only good quality blocking material.



Never operate controls from the ground. Operate the controls only from the operator's station.



Keep all persons away from operator control area while performing adjustments, service, or maintenance.



Always use personal protection devices such as eye, hand and hearing protectors, when performing any service or maintenance.



Periodically tighten all bolts, nuts and screws and check that all cotter pins are properly installed to ensure unit is in a safe condition.



When completing a maintenance or service function, make sure all safety shields and devices are installed before placing unit in service.








Openings in the skin and minor cuts are susceptible to infection from hydraulic fluid. If injured by escaping hydraulic fluid, see a doctor at once. Gangrene and death can result. Without immediate medical treatment, serious infection and reactions can occur.

SAFETY INSTRUCTIONS (continued)








MAINTENANCE SAFETY (continued)

-  After servicing, be sure all tools, parts and service equipment are removed.
-  Check to ensure all safety signs are installed and in good condition. (See safety sign section for location drawing.)
-  Do not allow grease or oil to build up on any deck or platform.
-  Never replace hex bolts with less than grade five bolts unless otherwise specified, i.e. shear bolts. Refer to bolt torque chart for head identification marking.
-  A fire extinguisher and first aid kit should be kept readily accessible while performing maintenance on this equipment.

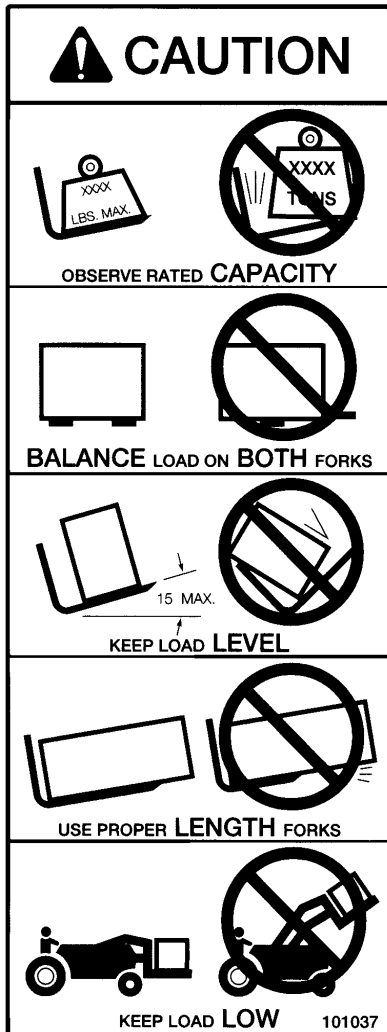
If equipment has been altered in any way from original design, the manufacturer does not accept any liability for injury or warranty.



STORAGE SAFETY

-  Following operation or when unhooking, stop the tractor, set the brakes, shut off the engine, relieve all hydraulic pressure and remove the ignition keys.
-  Store the unit in an area away from human activity. Do not permit children to play on or around the stored unit.
-  Do not park equipment where it will be exposed to livestock for long periods of time. Damage and livestock injury could result.
-  Make sure all parked machines are on a hard, level surface and engage all safety devices. Storage location should be level and solid to make connecting and unconnecting to power unit easy.
-  If blocking is used, make sure it is solid and secure before leaving area.

SAFETY SIGNS



REPLACING SAFETY SIGNS

1. Clean the area of application with nonflammable solvent.
2. Wash the same area with soap and water.
3. Allow the surface to fully dry.
4. Remove the backing from the safety sign exposing the adhesive surface.
5. Apply the safety sign to the location shown in the parts diagram.
6. Smooth out any bubbles.

Helpful Hints: (1) Decals adhere to a warm surface better than a cold surface. (2) Applying heat (from a hair dryer) will greatly improve your ability to remove a damaged decal before preparing the surface for installation of a new one.

BE CAREFUL!

Use a clean, damp cloth to clean safety decals. Avoid spraying to close to decals when using a pressure washer; high-pressure water can enter through very small scratches or under edges of decals causing them to peel or come off.

REMEMBER:

If Safety Signs have been damaged, removed, become illegible or parts replaced without Signs, new Safety Signs must be applied. New Safety Signs are available from your authorized distributor or factory.

WARNING

- Read and follow owner's manual before installing, operating, or performing maintenance on this attachment. Observe safety recommendations in manual.
- Do not exceed weight limit of attachment or loader.
- Do not lift or carry anyone on attachment.
- Attachment should be used with the proper counterweight on rear of tractor. When handling loads on both ends of tractor, load rear first and unload last.
- Set wheels wide for increased stability.
- Never raise load to extreme heights on steep inclines.
- Keep load as low as practical to maximize power unit stability.
- Make sure latching mechanism is engaged and attachment is securely mounted to the loader.
- Do not stand or work under raised attachment.
- Stop engine, lower loader, relieve all hydraulic pressure, and lock brakes before leaving operator's seat.
- Failure to observe the above precautions can result in serious injury or death.

101310

⚠ WARNING

To avoid injury or death caused by falling attachment:

- Quick lock pins must be installed at all times.

101296

**Above Safety Sign ONLY for
Models JDPF-5442 & JDPF-5448**

INSTRUCTIONS

TRACTOR AND LOADER/SKID STEER REQUIREMENTS AND PREPARATION

The required size of the tractor and front loader or skid steer will be determined by the weight of the load to be handled.

Always use a tractor and front loader or skid steer large enough to safely handle the load.

Check your tractor and front loader or skid steer to make sure they are in good working condition. Check all frame mounting bolts to make sure they are tight.

Loaders that attach to the tractor frame rails should have a cross-tie installed for stability.

Check the hydraulic system. Be sure the hydraulic oil and filter have been serviced according to the manufacturer's recommendations.

WARNING!

■ Power unit must be equipped with ROPS or ROPS cab and seat belt. Keep seat belt securely fastened. Falling off power unit can result in death from being run over or crushed. Keep foldable ROPS systems in “locked up” position at all times.

■ A heavy load can cause instability in driving a power unit. Make sure the rear of the tractor is properly counter-balanced with weights. Always drive slowly – especially around turns. An unstable unit could steer badly and possibly tip over, causing injury or death.

CAUTION!

Be sure your tractor and loader, or skid steer are in good condition. Read all the safety precautions and make sure all equipment operators are familiar with the safety rules of operation.

The operator is responsible for the safe operation of this equipment. The operator must be properly trained. Operators should be familiar with the power unit, loader and loader attachment, and all safety practices before starting operation. Read the safety rules and safety signs on pages 3-11.

Be sure tires and rims are in good condition. Inflate tires to the proper recommended air pressure.

The load rating of all pallet forks is figured with the load 20” in front of the fork lift frame and evenly distributed between the two fork tines.

NEVER put load at the ends of the fork tines – the lift capacity at the ends of the forks is only about 1/3 of the total lift capacity.

WARRANTY DOES NOT COVER BENT FORKS.

WARNING!

Do not exceed the maximum recommended weight listed for the pallet fork. Damage to the equipment or serious personal injury could result.

The use of any loader attachment is NOT recommended on tractors with a tricycle wheel arrangement. Tricycle type tractors are unstable for front loader use.

MODEL PF-448

The Universal Model PF-448 Pallet Fork attachment is designed to fit most double-cylinder front end loaders with a load-arm center distance of 52 inches or less. Optional brackets are available to fit both pin-on and some popular quick coupler front-end loaders. Brackets must be ordered with the pallet fork attachment to mount on your loader.

The Universal Pallet Fork can also be used on the rear 3 pt. Cat. II hitch with pin-on brackets and the Optional #831815 Toplink Bracket.

With the optional #830358 Bushing Kit, a Cat. II Quick Hitch may be used. (Pin-on brackets and toplink bracket required.)

The model PF-448 with 48” solid pallet forks can handle loads up to 4,000 lbs. Load ratings are figured with the load about 20” in front of the fork lift frame and evenly distributed between the two fork tines.

NOTE: Loaders with only one hydraulic cylinder in the center of the loader to tilt the bucket or attachment may be used with the addition of an optional center bracket (order bracket #830320).

INSTRUCTIONS (continued)

MODEL PF-448 (continued) ASSEMBLY – TRACTOR LOADERS PIN ON ATTACHMENT

This unit is shipped almost completely assembled. Carefully follow instructions for final assembly.

Preview the assembly instructions and the exploded views of the pallet fork in your operator's manual and become familiar as to how the parts or assemblies go together.

Remove the bucket from your front end loader. Check your loader to make sure it is in good working order. Check all frame mounting bolts to make sure they are tight.

Loaders that attach to the tractor frame rails should have a cross-tie installed for stability.

Refer to the "exploded view" of the Loader Fork on page 20 of this manual.

Assemble the two lift brackets (Ref. #3) on the main frame (Ref. #1) with the $\frac{5}{8}$ " x 3" I.D. U-bolts. Leave the U-bolts loose.

NOTE: The lift channel brackets are supplied with 1" diameter pins to fit your loader. If your loader requires $1\frac{1}{8}$ " pins, it will be necessary for the hole diameter in the channel brackets to be drilled out to $1\frac{5}{32}$ " (1.156") and ask your dealer to order $1\frac{1}{8}$ " diameter pins. The $1\frac{1}{8}$ " pins are part #830318. Be sure to indicate if two or four $1\frac{1}{8}$ " pins are required.

If your loader requires $1\frac{1}{4}$ " diameter pins, please ask your dealer to order adapter bushings (part #830319). Be sure to indicate how many adapter bushings are required.

NOTE: The Ford (New Holland) models 7109, 7209, 7210, 7309, 7310 and 7410 Pin Type Loaders require special brackets. Also, Rhino (Alamo) models 2410 and 2491. Order #830330 bracket kit.

NOTE: For loaders that require brackets that provide additional roll back, order #830335 (1" pins).

Connect the above assembly to the loader arms using the bottom hole in the channel and attach the upper control cylinder to the top hole in the lift channels. Center the main frame (side to side) with your loader arms and tighten the four (4) $\frac{5}{8}$ " x 3" U-Bolts.

The lower hole positions in the lift channels can be used to obtain more angle movement. However, if the frame becomes too parallel with the loader lift arms, the loader may not have enough power (mechanical advantage) to bring the frame back.

NOTE: Generally, it is not recommended to have the tilt cylinders located any closer than 10-12 inches to the main loader lift arms. **Check the spacing of mounting pins on your loader bucket and use this as a guide.**

If tilt cylinders are located too close to the loader arms, they may go "over center" when fully extended. If this happens, damage may occur to the cylinders and/or mounting brackets.

MODEL PF-448 ASSEMBLY – QUICK ATTACH

If your tractor loader has a bucket Quick Attach feature, check with your dealer on the availability of adapter brackets for your brand and model loader.

Measure the width of the front adapter on your loader and locate the Quick Attach brackets on the main frame. Locate these brackets so the main frame will be centered on your loader.

Tighten the U-bolts that connect the brackets to the main frame.

MODELS SSPF-442/448

The Skid Steer Pallet Fork Models SSPF-442 and SSPF-448 are designed for skid steer power units or tractor loaders having the universal bucket attach system (same as original Bobcat design). Skid steer units must have rated lifting capacity greater than or equal to the loads to be handled.

The models SSPF-442 and SSPF-448 pallet forks can handle loads up to 4,000 lbs. Load ratings are figured with the load about 20" in front of the fork lift frame and evenly distributed between the two fork tines. **NEVER** put load at the ends of the fork tines – the lift capacity at the ends of the forks is only about $\frac{1}{3}$ of the total lift capacity. **WARRANTY DOES NOT COVER BENT FORKS.**

Remove the bucket from your front end loader or skid steer. Check your loader to make sure it is in good working order. Check all frame mounting bolts to make sure they are tight.

INSTRUCTIONS (continued)

MODELS SSPF-442/448 ATTACHMENT TO PRIME MOVER

WARNING!

Improper attachment of the Pallet Fork could result in injury or death. Do not operate this product until you have positive indication that the attachment is securely mounted.

1. Position the attachment on a level surface.
2. The quick attach coupler handles should be in the unlocked position with lock pins retracted, Figure 2.

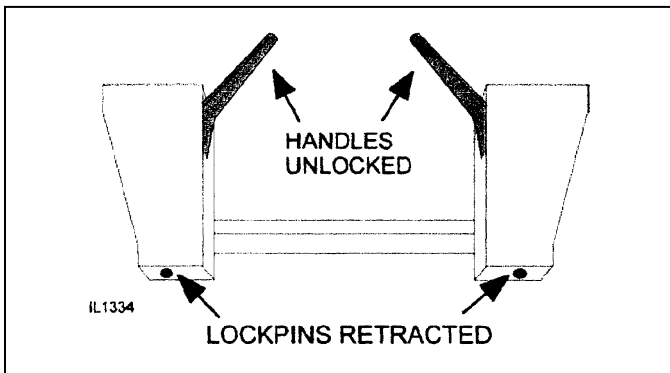


Figure 2. Quick Attach Coupler Handles - Unlocked

3. Enter the prime mover. Fasten seatbelt, start engine. Disengage the parking brake.
4. Follow the attaching procedure in the prime mover owner's manual. Align the attachment mechanism with the mounting on the grapple bucket, attach to the prime mover on loader.
5. Engage the parking brake and shut down the prime mover. Be sure to relieve pressure to the auxiliary hydraulic lines.
6. Unfasten safety restraints and exit the prime mover.
7. Engage the latching mechanism to secure attachment to loader. The lockpins must be completely extended and secured into the retaining slots.
8. Re-enter the prime mover. Fasten seatbelt and re-start engine.

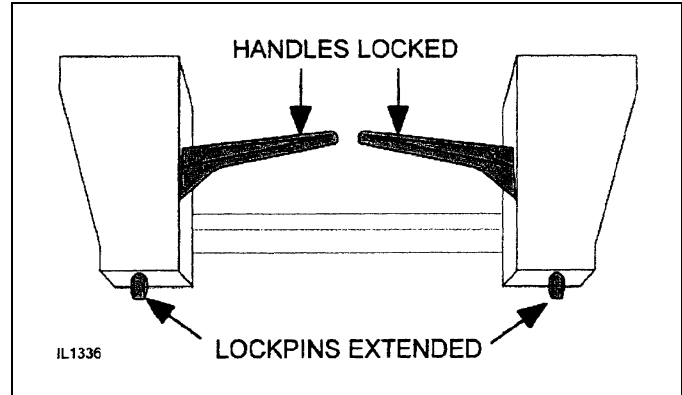


Figure 3. Attachment Coupler Handles - Locked

WARNING!

Attachment coupler handles must always be rotated to **LOCK POSITION** to prevent coupler latch from disengaging and attachment from falling off.

9. Carefully raise the loader and cycle the rollback/tilt cylinders to check clearances and to ensure that the attachment is securely mounted.
10. Cycle the grapple clamp hydraulic cylinders several times full stroke to work the air out of the cylinders.

REMOVING THE PALLET FORK

1. If possible, find a level solid location to place the attachment. This makes it easier to disconnect and re-connect later on.
2. Lower the attachment to the ground.
3. Engage the parking brake and shut down the prime mover. Be sure to relieve pressure to the auxiliary hydraulic lines.
4. Unfasten safety restraints and exit prime mover.
5. Disengage attachment-locking mechanism (mechanical type).
6. Enter prime mover, fasten safety restraints and start the prime mover.
7. Disengage attachment-locking mechanism (hydraulic type).
8. Disengage the parking brake, and back away from the attachment.

INSTRUCTIONS (continued)

MODELS JDPF-5442/5448 ATTACHMENT TO PRIME MOVER

The pallet fork Models JDPF-5442 and JDPF-5448 are specifically designed for John Deere 400 and 500 series loaders. They are rated for loads up to 4,000 lbs.

NOTE: Procedure is the same for all attachments. Bucket attachment shown.

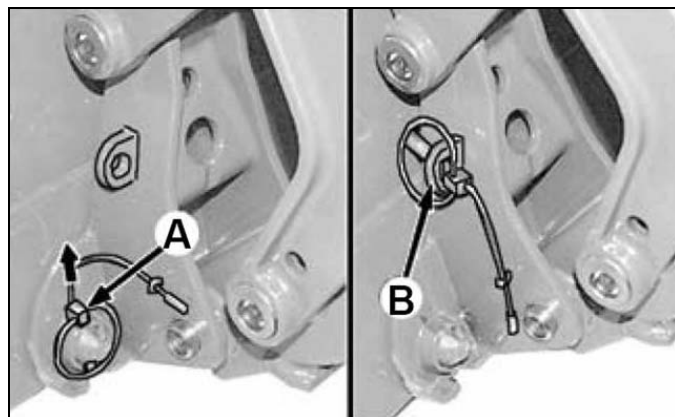
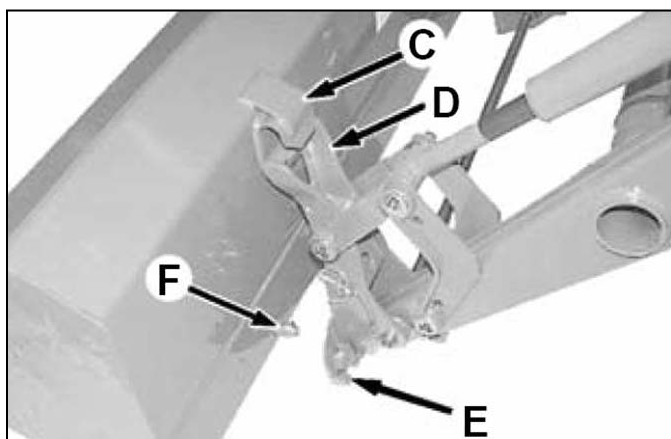
ATTACHING

1. Extend bucket tilt cylinders to angle attaching brackets forward.

NOTE: Angle must be greater than that of the brackets on the rear of the pallet fork.

2. Drive forward, adjusting loader height and position until the top of the loader bracket engages the hooks (C) on the pallet fork.
3. Slowly retract the bucket tilt cylinders and raise the loader so the lower lock pins (F) engage the hole in the holder strap (E).
4. Continue to retract the tilt cylinders and raise the loader until the main frame of the pallet fork is vertical.
5. Engage tractor parking brake and/or place transmission in PARK. Shut off tractor engine and remove key.
6. Install the quick-lock-pin (A) into the pins (F) on each side of the pallet fork.

Installation is now complete.



NOTE: On attachments with two pins (F), the 200, 300 and 400 series loaders will utilize the upper pin and the 500 series loader will utilize the lower pin.

DETACHING

1. Engage tractor parking brake and/or place transmission in PARK. Shut off tractor engine and remove key.
2. Remove the quick lock-pin (A) from each side of attachment. Store pins in storage position (B).
3. Start engine and lower the pallet fork to the ground. Extend bucket tilt cylinders until pin (F) releases from holder strap (E) on each side of attachment. Lower the loader until holder brackets are free from the hooks. Back tractor away from attachment.
4. Set parking brake and/or place transmission in PARK. Shut off engine and remove key.

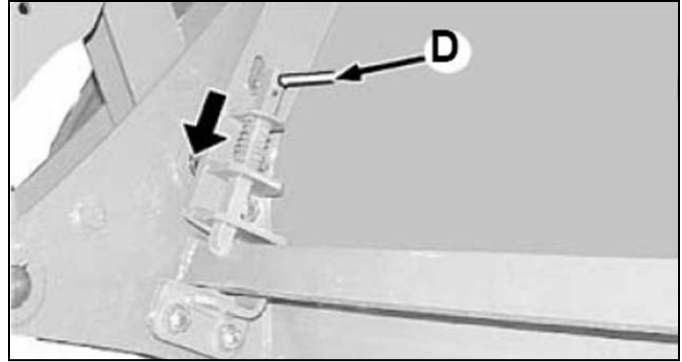
**REPLACE
SAFETY SIGNS
IF DAMAGED
OR MISSING!**

INSTRUCTIONS (continued)

MODEL JDPF-6748 ATTACHMENT TO PRIME MOVER

The Model JDPF-6748 pallet fork is specifically designed for John Deere 600 and 700 series loaders with quik-change latches. It has a load rating of up to 5,500 lbs.

NOTE: Procedure is the same for all attachments. Bucket attachment shown.



700 SERIES BOLT-ON LATCH SHOWN

ATTACHING

1. Extend bucket tilt cylinders to angle attaching brackets forward.

NOTE: Angle must be greater than that of the brackets on the rear of the pallet fork.

2. 600/700 – Drive forward, adjusting loader height and position until the top of the bracket is aligned with the pins (A).
3. Raise loader to engage hooks and retract attachment cylinders quickly.
4. 600/700 – Raise loader until you can check that pins (D) on both sides have fully dropped.
5. Lower attachment, shut off engine and remove key.

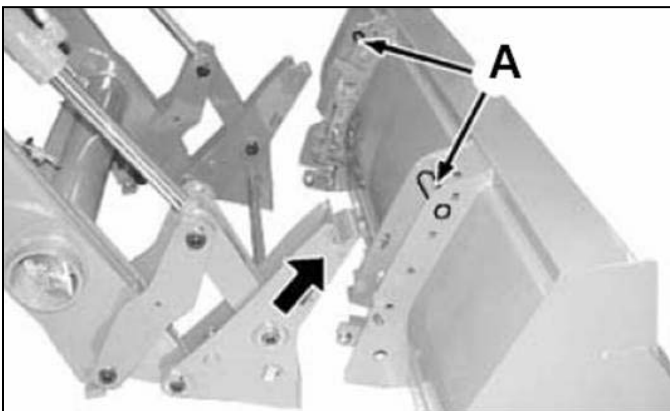
CAUTION!



**ALWAYS CHECK LATCH PINS
BEFORE TILTING OR OPERATING
ANY ATTACHMENT.**

DETACHING

1. Lower pallet fork to ground. Place the transmission in PARK and shut off engine and remove key.
2. Lift and rotate latches (A) up on both sides of attachment.
3. Start tractor and lower attachment to ground. Slowly extend bucket tilt cylinders until loader brackets clear the latch pin pockets. Lower loader until holder clears the pins.
4. Drive tractor in reverse until loader is clear of the attachment.



700 SERIES

**OBEY ALL
SAFETY
WARNINGS!**

INSTRUCTIONS (continued)

MODELS GLPF-442/448/5548 ATTACHMENT TO PRIME MOVER

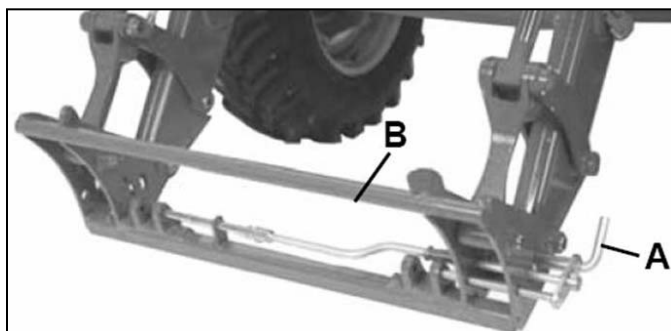
The Models GLPF-442, GLPF-448, and GLPF-5548 are specifically designed for tractor front loaders with the Euro or Global bucket quick-change system.

The models GLPF-442/448 have a load rating of 4,000 lbs.

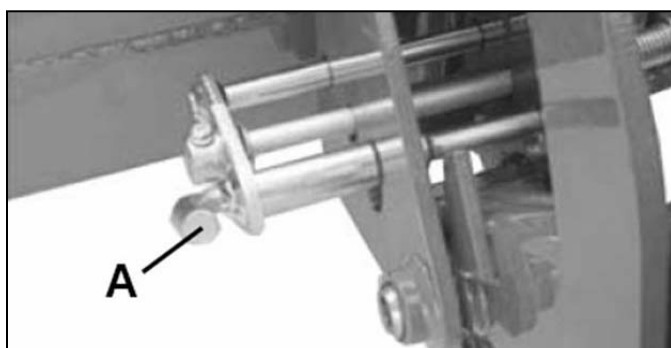
The model GLPF-5548 has a load rating of 5,500 lbs.

ATTACHING

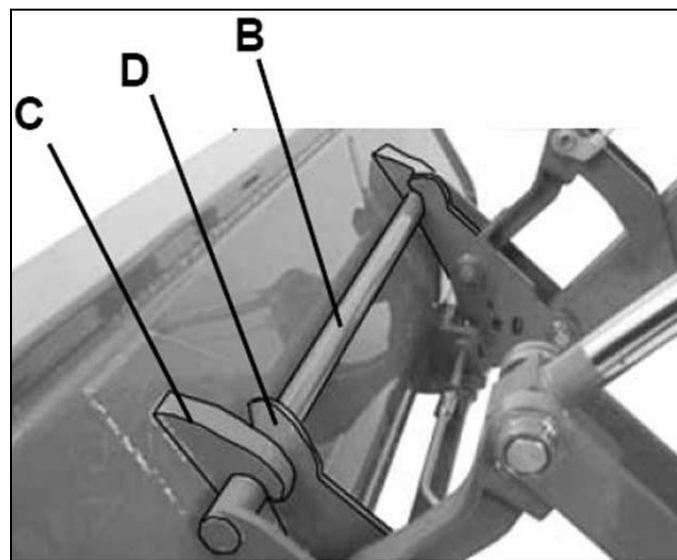
1. To prepare the loader for attachment, pull and rotate handle to open latch (A).
2. Extend attachment cylinders to angle attaching brackets forward.
3. Drive forward, adjusting loader height and position until the bar (B) is under hooks (C) and tabs (D) are on the center side of the hooks.



NOTE: Latch automatically closes on global carrier.



4. Raise loader and retract tilt cylinders until latch closes.
5. Lower attachment and shut off engine. Installation is now complete.



CAUTION!



**ALWAYS CHECK LATCH PINS
BEFORE TILTING OR OPERATING
ANY ATTACHMENT.**

DETACHING

1. Lower pallet fork to ground. Place the transmission in PARK and shut off engine and remove key.
2. Pull and rotate handle to open latch (A).
3. Start tractor and lower attachment to ground. Slowly extend bucket tilt cylinders until loader clears the latch plate. Lower loader until bar clears the hooks.
4. Drive tractor in reverse until loader is clear of the attachment.

OBEY ALL SAFETY WARNINGS!

OPERATING INSTRUCTIONS

OPERATION

Safety is a primary concern in the design and manufacture of our products. Unfortunately, our efforts to provide safe equipment can be wiped out by an operator's single careless act.

In addition to the design and configuration of equipment, hazard control and accident prevention are dependent upon the awareness, concern, judgement, and proper training of personnel involved in the operation, transport, maintenance and storage of equipment.

It has been said "The best safety device is an informed, careful operator." We ask you to be that kind of operator.

The operator is responsible for the safe operation of this equipment. The operator must be properly trained. Operators should be familiar with the equipment, the tractor, and all safety practices before starting operation. Read the safety rules and safety decals on pages 3 through page 11.

WARNING!

■ Do not operate this product until you have positive indication that this attachment is securely mounted to the loader. Failure to install lock pins or have the latching mechanism engaged could result in injury or death.

■ Power unit must be equipped with ROPS or ROPS cab and seat belt. Keep seat belt securely fastened. Falling off power unit can result in death from being run over or crushed. Keep foldable ROPS systems in "locked up" position at all times.

■ Pallet Forks are NOT to be used for large round bales, as this would create a hazardous condition.

DANGER!

Beware of low electrical wires when loader is raised. Serious injury or death can result if contact is made.

Do not leave the operator's seat if any part of the power unit, loader or attachment contacts electric lines.

WARNING!

■ Rear ballast is required to ensure 25% of gross vehicle weight is transferred to the rear axle. Attachment and load must be included as weight. Adequate rear weights are required to counterbalance maximum loader capacity and safe loader operation. Weight can be added as rear tire liquid, rear wheel weights, rear axle weights and/or three point hitch mounted ballast or implement. Ballasting will vary with tractor and loader attachment. Refer to the Tractor manual for recommended ballasting.

■ Never allow children or untrained persons to operate equipment.

■ Keep bystanders away from equipment.

■ Never allow riders on power unit or attachment.

Be sure tractor or skid steer is properly counterbalanced with weights before attempting to lift any load.

Make sure fork latch is properly engaged.

Using the bucket tilt cylinders, adjust the angle of the fork tines so they are parallel with the ground.

Adjust height of fork tines to enter the pallet to be handled. Always keep the load or pallet as close to the forklift main frame as possible.

Make sure weight of load is centered between the forks.

Make sure all operators have read the Owner's Manual and are familiar with the instructions and the safety rules of operation.

CAUTION!

■ Avoid carrying loose or shiftable loads. Falling items could cause injury.

■ Beware of lift clearance when raising loader to maximum height.

■ Always stop the power unit, set brake, shut off engine, remove key, and lower loader to ground before attempting to service. Never leave equipment unattended with engine running.

OPERATING INSTRUCTIONS (continued)

OPERATION (continued)



A heavy load can cause your prime mover to tip over. When moving heavy loads, keep the load low, go slowly around turns, and be sure the prime mover is properly counter-balanced with weights.

OPERATE LOADER SAFELY

- Improper use of loader can cause serious injury or death.
- Become familiar with controls.
- Be sure anyone operating the loader is aware of safe operation and potential hazards. Read and observe safety recommendations in loader manual.
- Operate loader from operator's seat only. Remain at controls until operating cycle is complete.
- Stop loader gradually when lowering or lifting loads.
- Use particular care when working on inclines and hill-sides.
- Avoid holes, ditches, and obstructions which may cause prime mover/loader to tip.
- Allow for additional length of loader on tractor while turning.
- Never allow anyone to walk or work under a raised loader.
- Be sure that people, livestock, or pets are not standing near the machine while operating.
- Do not use the loader for a work platform.
- Do not lift or carry anyone on loader or in bucket or attachment.
- Carry load low.
- Travel slowly over rough ground or when making turns.
- Drive slowly through gates and doors.
- Avoid carrying loose or shiftable loads.
- Lower bucket or attachment to ground when loader is unattended.

TRANSPORTING



When traveling on public roads, whether at night or during the day, use accessory light and devices for adequate warnings to operators of other vehicles. Comply with all federal, state and local laws.

Allow for additional length of loader and attachment on power unit while turning.

Check visibility. If visibility is impaired, reduce speed or consider other means of transport.

Read all the safety warnings in the front of this manual and in the manual of power unit.



Transport the loaded pallet fork at a slow speed and with the loader at the lowest transport position to avoid tipping or upsetting, which could result in serious injury or death.

MAINTENANCE & STORAGE

Replace any worn or damaged parts immediately. Do not use attachment with any damaged parts.



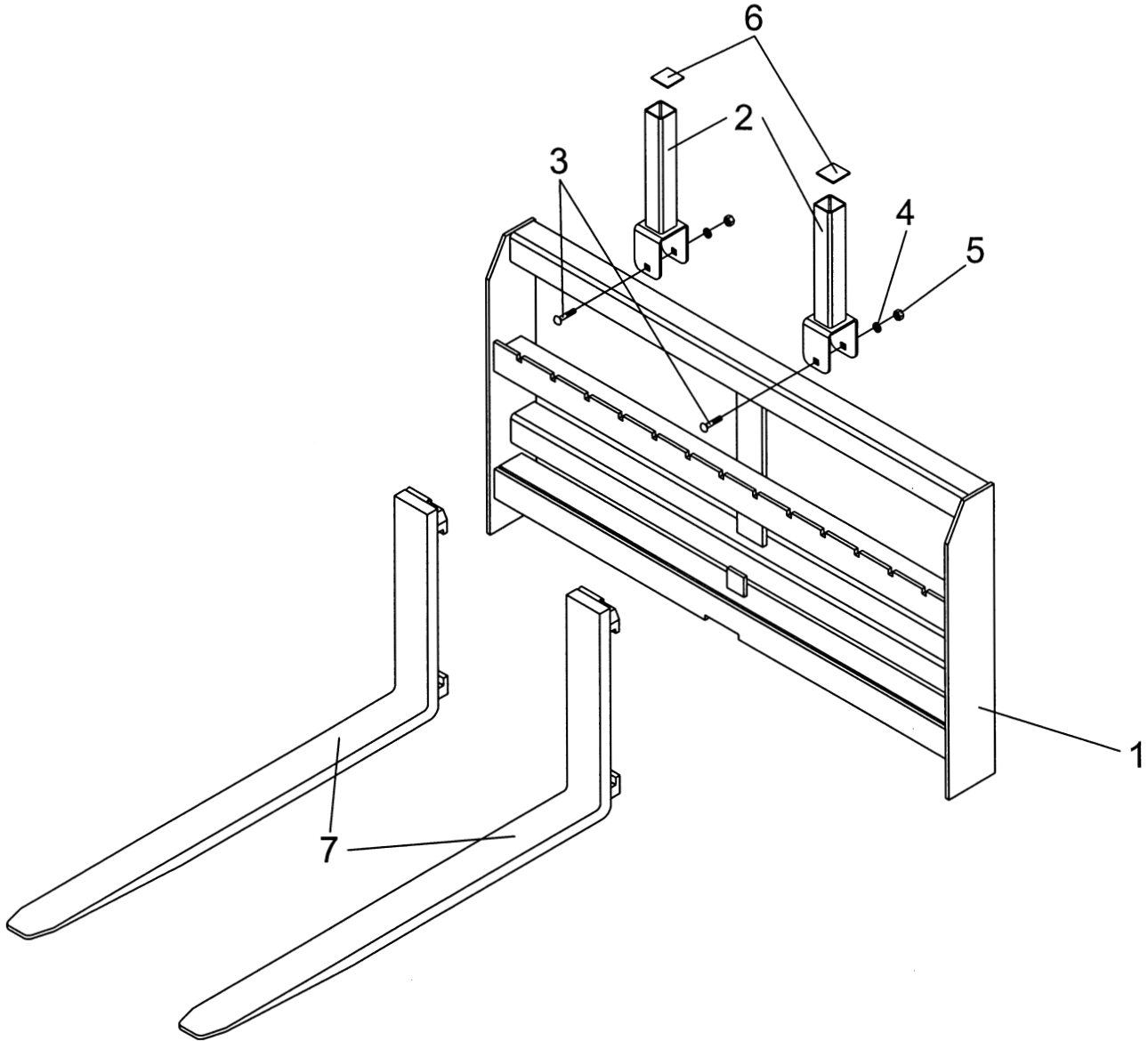
■ **Always stop the tractor or skid steer, set brake, shut off engine, remove key, and lower loader to ground before attempting to service. Never leave equipment unattended with engine running.**

■ **Do not work under a raised loader unless it is securely blocked or held in position. Do not depend on the hydraulic system to hold loader and attachment in place.**

■ **Keep all persons away from operator control area while performing adjustments, service, or maintenance.**

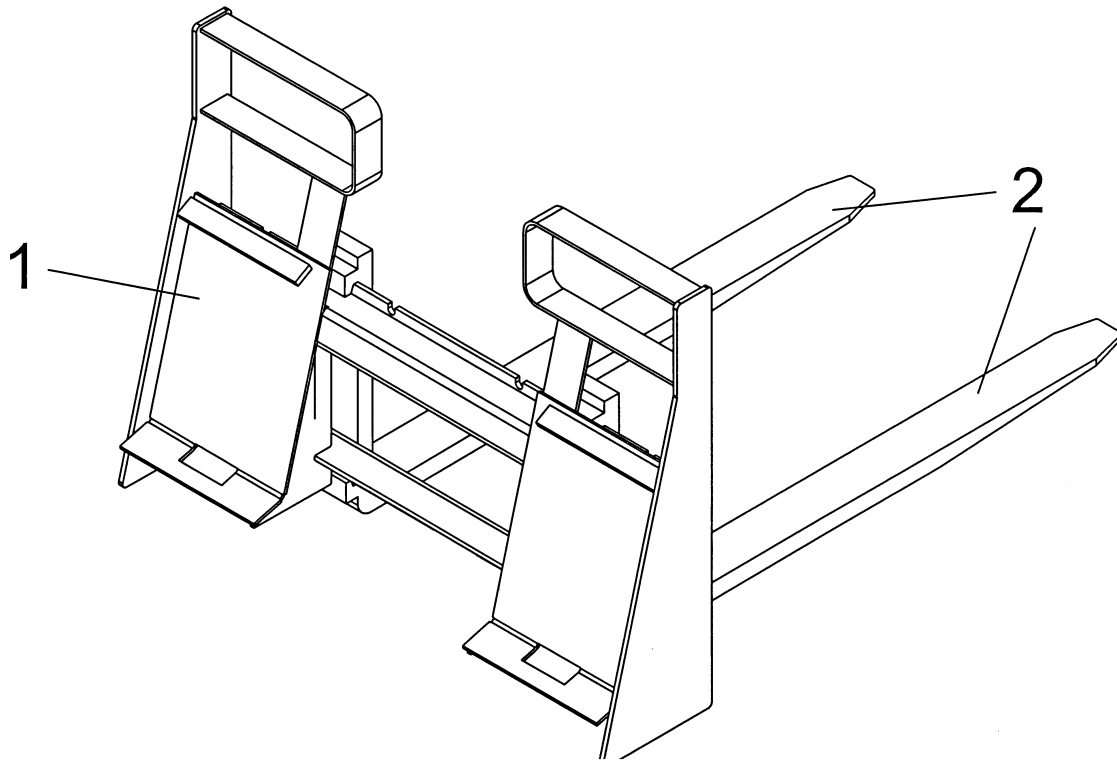
Storage location should be level and solid to make hitching and unhitching easy. Store in a clean, dry location away from children and livestock.

MODEL PF-448 PARTS LIST



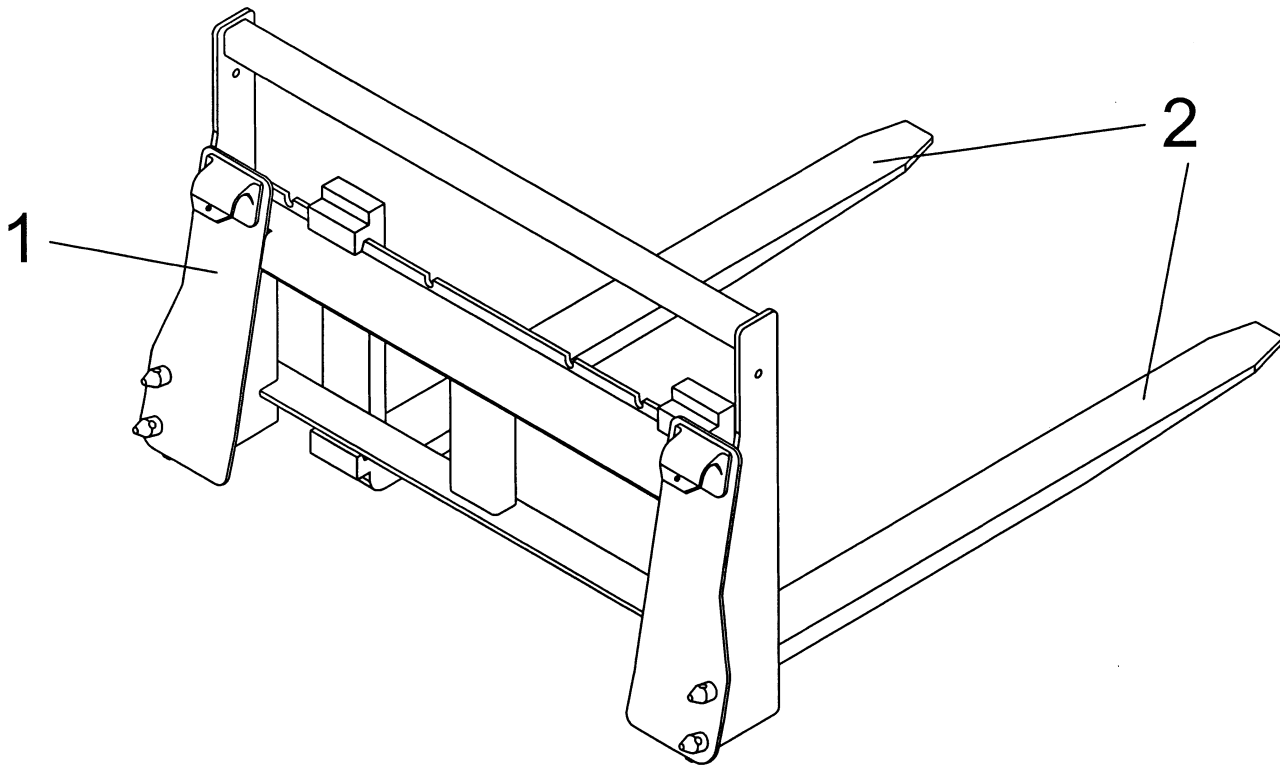
Ref. No.	Part No.	Description	No. Req'd.
1	831831	Frame Weldment (PF-448)	1
2	831835	Backstop Weldment (PF-448)	2
3	2503160	Bolt, Carriage 1/2"-13NC x 4.00" G2	2
4	2502002	Washer, 1/2" Spring Lock	2
5	2500003	Nut, Hex 1/2"-13NC	2
6	2504309	Cap, Plastic (2 x 2)	2
7	831375	Pallet Fork, 48"	2
N/S	101037	Safety Sign, Caution (Capacity)	1
N/S	101310	Safety Sign, Warning (Owner's Manual)	1

SSPF-442 and SSPF-448 PARTS LIST



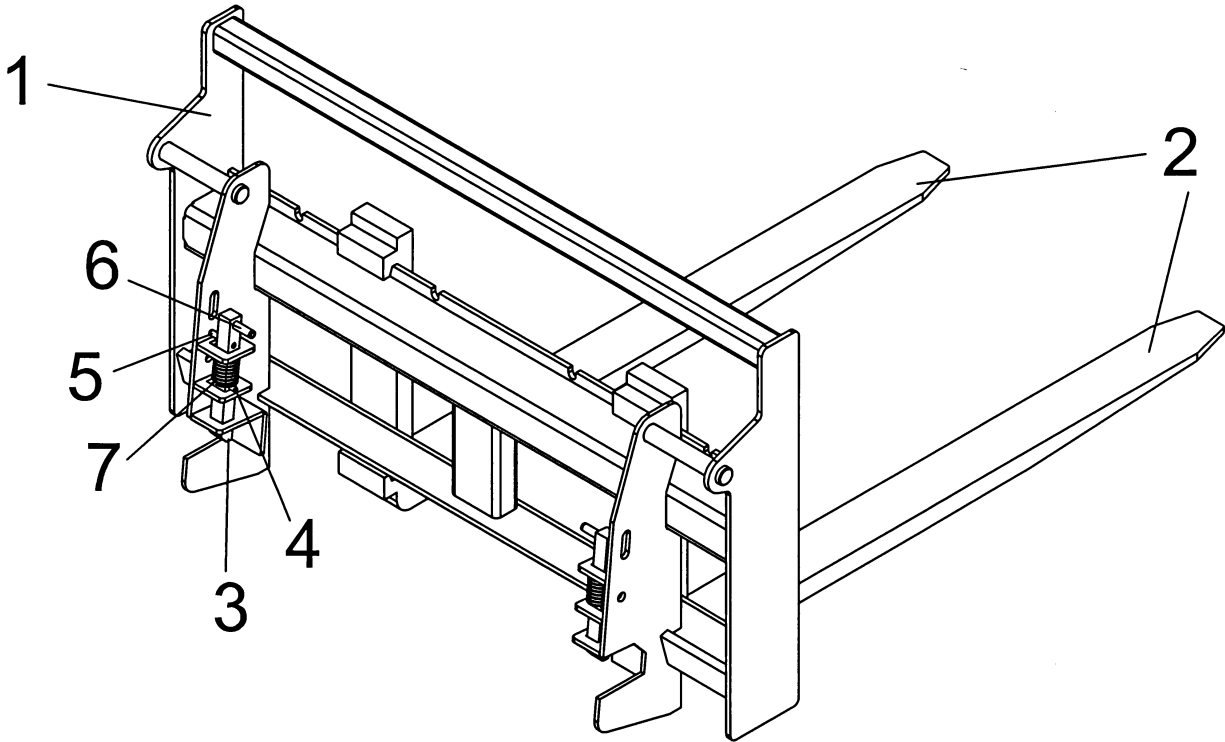
Ref. No.	Part No.	Description	No. Req'd.
1	832416	Frame Weldment, SS Pallet Fork	1
2	831365	Pallet Fork, 42" (442)	2
	831375	Pallet Fork, 48" (448)	2
N/S	101037	Safety Sign, Caution (Capacity)	1
N/S	101310	Safety Sign, Warning (Owner's Manual)	1

JDPF-5442 and JDPF-5448 PARTS LIST



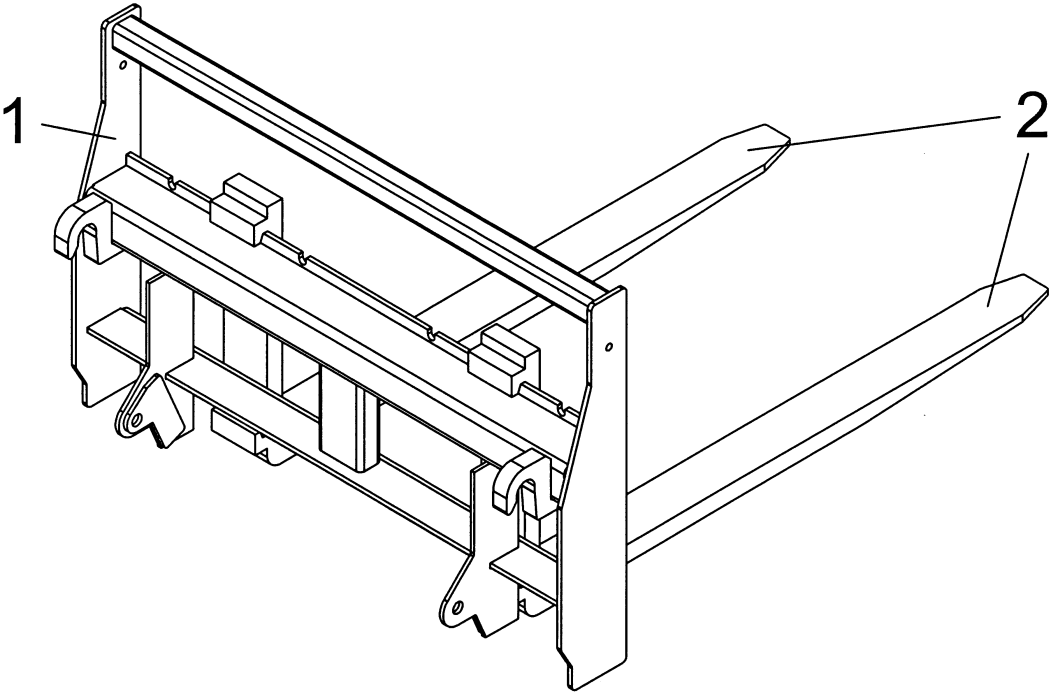
Ref. No.	Part No.	Description	No. Req'd.
1	832421	Frame Weldment, Pallet Fork	1
2	831365	Pallet Fork, 42" (5442)	2
	831375	Pallet Fork, 48" (5448)	2
N/S	101037	Safety Sign, Caution (Capacity)	1
N/S	101310	Safety Sign, Warning (Owner's Manual)	1
N/S	101296	Safety Sign, Warning (Install Pins)	1

JDPF-6748 PARTS LIST



Ref. No.	Part No.	Description	No. Req'd.
1	832441	Frame Weldment, Pallet Fork	1
2	832470	Pallet Fork, 48"	2
3	831872	Lock Bar	2
4	2504070	Roll Pin 5/16" x 2"	2
5	2504224	Roll Pin 3/8" x 2"	2
6	2504195	Roll Pin 1/2" x 2 1/2"	2
7	2504223	Spring, Lock Bar	2
N/S	101037	Safety Sign, Caution (Capacity)	1
N/S	101310	Safety Sign, Warning (Owner's Manual)	1

GLPF-442, GLPF-448 and GLPF-5448 PARTS LIST



Ref. No.	Part No.	Description	No. Req'd.
1	832461	Frame Weldment, Pallet Fork	1
2	831365	Pallet Fork, 42" (442) 4000# Capacity	2
	831375	Pallet Fork, 48" (448) 4000# Capacity	2
	831470	Pallet Fork, 48" (5548) 5500# Capacity	2
N/S	101037	Safety Sign, Caution (Capacity)	1
N/S	101310	Safety Sign, Warning (Owner's Manual)	1

⚠ SAFETY PRECAUTIONS ⚠

**MOST ACCIDENTS OCCUR BECAUSE OF NEGLIGENCE OR CARELESSNESS.
AVOID NEEDLESS ACCIDENTS BY FOLLOWING ALL OF THE SAFETY PRECAUTIONS LISTED BELOW.**

- Machinery should be operated only by those who are responsible and are authorized to do so.
- Stop the engine, lower all equipment, lock the brakes, and remove the ignition key before dismounting from the tractor.
- Never stand between tractor and implement while tractor is being backed to hitch.
- Loose fitting clothing should not be worn, to avoid catching on various parts.
- Detach implement in area where children normally do not play.
- When performing adjustments or maintenance on an implement, first lower it to the ground or block it securely at a workable height.
- Only a qualified operator should be permitted on tractor when in operation; no riders allowed.
- Make certain everyone is in the clear before starting tractor or raising or lowering equipment.
- Operate the tractor and implement only while seated in the driver's seat.
- Reduce speed when transporting mounted implements to avoid bouncing and momentary loss of steering control.
- A heavy load can cause instability of the tractor. Use extreme care during road travel. Slow down on turns and watch out for bumps. Tractor may need front counterweights to counter-balance the weight of the implement.
- Reduce speed on hillsides or curves so there is no danger of tipping.
- Avoid driving too close to the edge of ditches or creeks.
- Do not transport implement on public roads without reflectors and slow moving vehicle emblem in daylight and with approved warning lights at night and other periods of poor visibility.
- Due to the width of some implements, use extra caution on highways, farm roads, and when approaching gates.
- Always be sure the implement is in the proper position for transport.
- Keep alert and watch the front as well as the rear when working with the implement.

OWNER'S/ OPERATOR'S MANUAL

MODEL NO.'s

PF-448

SSPF-442

SSPF-448

JDPF-5442

JDPF-5448

JDPF-6748

GLPF-442

GLPF-448

GLPF-5548

SEPTEMBER 2009

PALLET FORKS FOR TRACTOR FRONT LOADERS AND SKID STEER UNITS

**WHEN ORDERING REPAIR PARTS,
ALWAYS GIVE THE FOLLOWING INFORMATION:**

1. PART NUMBER
2. PART DESCRIPTION
3. MODEL NUMBER
4. NAME OF ITEM

Please work, drive, play, and live each day with care and concern for your safety and that of your family and fellow citizens.

WORKSAVER, INC.

P.O. BOX 100 LITCHFIELD, IL 62056-0100 (217) 324-5973
WEB: <http://www.worksaver.com> E-MAIL: sales@worksaver.com