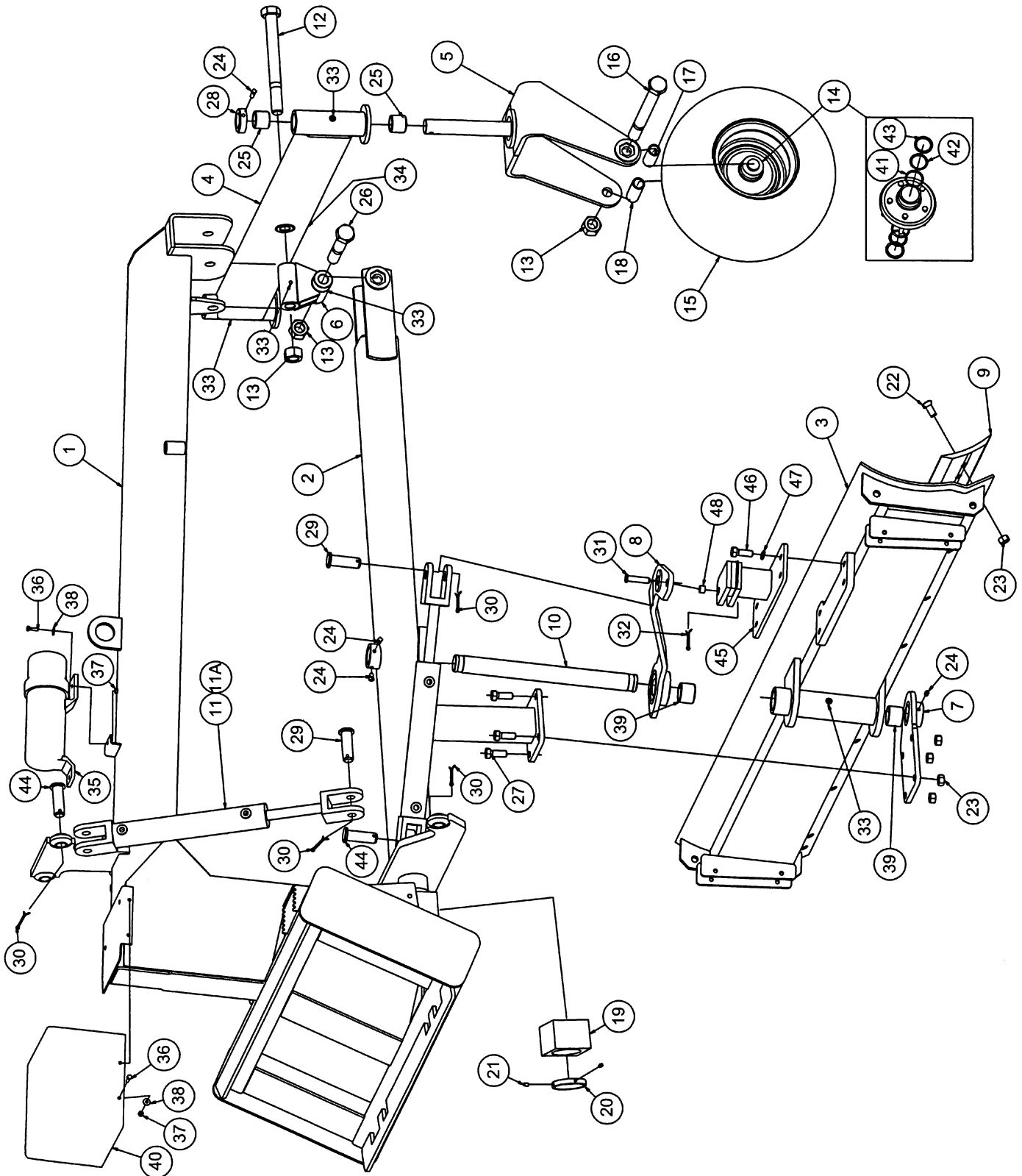


# SSGB-8A GRADER BLADE PARTS DRAWING



# GRADER BLADE PARTS LIST

Ref. No.	Part No.	Description	No. Req'd.
1	811905	Main Frame Weldment	1
2	811920	Torsion Tube Weldment	1
3	811931	Moldboard Weldment 8 Ft.	1
4	811941	Front Axle Weldment	1
5	811955	Caster Fork Weldment	2
6	811960	Torsion Tube Pivot Weldment	1
7	811951	Shaft Support Plate Weldment	1
8	811981	Arm Weldment	1
9	350105	Cutting Edge 8 Ft.	1
10	811990	Shaft, Blade Pivot	1
11	2505663	Hydraulic Cylinder 2 x 12	3
11A	2504239	Seal Kit (for 2 x 12 Hydraulic Cylinder)	1
12	2503322	Bolt 1"-8NC x 11" Hex Head Gr.5	1
13	2500045	Nut 1"-8NC Hex Nylock	4
14	811976	Hub Assembly, 5 Bolt w/ Bearings and Seal	2
15	811977	Wheel and Tire Assembly	2
16	2503321	Bolt 1"-8NC x 12" Hex Head Gr.5	2
17	811979	Spacer, Wheel (3.25 Lg.)	2
18	811978	Spacer, Wheel (2.75 Lg.)	2
19	811935	Slide Block	1
20	811993	Ring w/ Set Screw Holes	1
21	2503057	Set Screw 5/16"-18NC x 1/2"	2
22	2503045	Bolt 5/8"-11NC x 1 1/2" Plow Head Gr.5	10
23	2500094	Nut, 5/8"-11NC Hex Toplock Gr.5	14
24	2503056	Set Screw, Sq. Hd 3/8" x 1/2"	5
25	2505033	Spring Bushing, 1.75 x 1.50 x 1.50	4
26	811946	Bolt, Modified Hex 1"-8NC x 6 5/8" Gr.5 (Special)	1
27	2503175	Bolt 5/8"-11NC x 1 3/4" Hex Head Gr.5	4
28	2504237	Set Collar, 1.50 I.D.	2
29	863070	Cylinder Pin 1" Dia. x 3 1/4"	3
30	2504121	Cotter Pin 3/16" x 1 1/2"	6
31	2504244	Shear Pin 5/16" x 2 1/2" w/Clips (Pkg. of 10) (Clevis Pin)	1
32	590185	Clip, Hair Pin - Replacement only	1
33	2504049	Drive Zerk, 5/16"	5
34	2504188	Grease Zerk, 1/8"NPT x 2 3/4"	1
35	2504225	Manual Holder, Plastic	1
36	2503116	Bolt 1/4"-20NC x 1" Hex Head Gr. 2	6
37	2500008	Nut 1/4"-20NC Whiz Flange Hex	6
38	2501006	Washer 1/4" Flat	6
39	2505037	Spring Bushing, 2.00 x 1.75 x 1.50	2
40	2505666	Cover, Hydraulic Valve	1
41	2505038	Cup, Timken # L44610	4
42	2505039	Cone, Timken # L44643	4
43	2505040	Seal, # SL-122-1	4
44	863068	Cylinder Pin 1" Dia. x 2 1/2"	3
45	811985	Shear Plate Weldment	1
46	2503154	Bolt 5/8"-11NC x 1 1/2" Hex Head Gr. 5	4
47	2502007	Washer 5/8" Springlock	4
48	811997	Bushing, Shear Pin	3