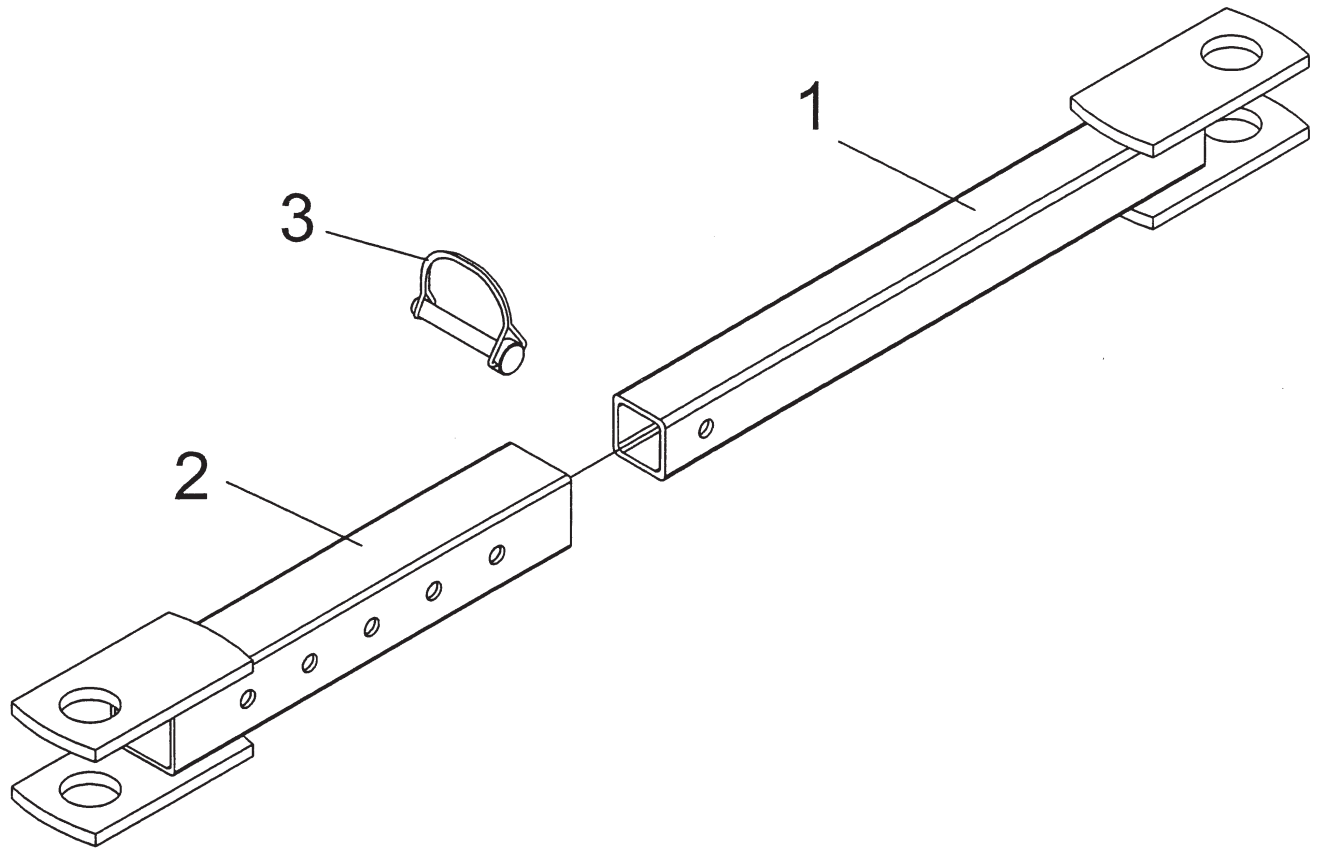


## OPTIONAL MANUAL ANGLE KIT PARTS DRAWING & LIST



Ref. No.	Part No.	Description	No. Req'd.
	610702	Complete Manual Angle Kit	1
1	610826	Link, Manual Angle Male	1
2	610831	Link, Manual Angle Female	1
3	590194	Lock Pin 5/16" (AK-2907)	1