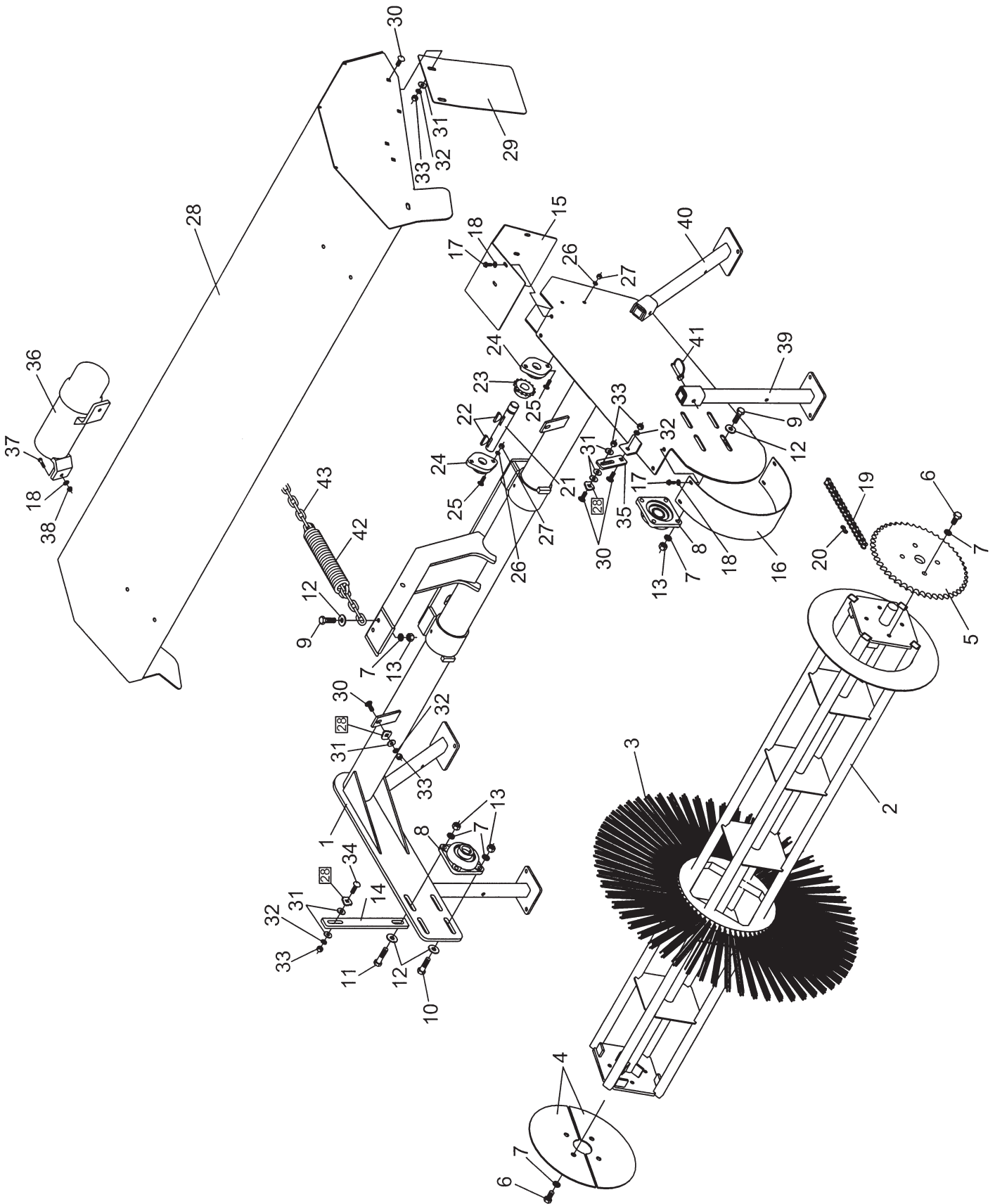


BRUSH HEAD ASSEMBLY PARTS DRAWING



BRUSH HEAD ASSEMBLY PARTS LIST

Ref. No.	Part No.	Description	No. Req'd.
1	610810	Frame Weldment (5 Ft.)	1
	610866	Frame Weldment (6 Ft.)	1
	610715	Frame Weldment (7 Ft.)	1
2	610895	Brush Core Weldment (5 Ft.)	1
	610735	Brush Core Weldment (6 Ft.)	1
	610740	Brush Core Weldment (7 Ft.)	1
3	610860	Wafer, 10 x 32 Poly	Var.
	610865	Wafer, 10 x 32 Wire (PW Models only)	Var.
4	610721	Retainer Plate, Wafer Lock	2
5	2506021	Sprocket, Large 60A48	1
6	2503332	Bolt 1/2"-13NC x 1" Hex Head Gr. 5	8
7	2502002	Washer 1/2" Springlock	18
8	2505043	Bearing, 4-Bolt Flange	2
9	2503145	Bolt 1/2"-13NC x 1 1/2" Hex Head Gr. 5	6
10	2503265	Bolt 1/2"-13NC x 1 3/4" Hex Head Gr. 5	3
11	2503118	Bolt 1/2"-13NC x 2" Hex Head Gr. 5	1
12	2501003	Washer 1/2" Flat	10
13	2500003	Nut 1/2"-13NC Full Hex	10
14	610799	Strap, Shield Adjustment	1
15	610722	Shield, Upper Chain	1
16	610723	Shield, Lower Chain	1
17	2503326	Bolt 1/4"-20NC x 3/4" Flange Hex	8
18	2501006	Washer 1/4" Flat	10
19	610846	Chain, #60 Roller	1
20	2506022	Master Link, #60	1
21	610773	Jack Shaft, Ø1.00" x 7.00"	1
22	2505701	Key, Woodruff #22	2
23	2506019	Sprocket, Small 60B11	1
24	2505041	Bearing, 2-Bolt Flange	2
25	2503110	Bolt 5/16"-18NC x 1" Carriage Head	4
26	2502011	Washer 5/16" Springlock	4
27	2500011	Nut 5/16"-18NC Full Hex	4
28	610901	Brush Guard Weldment (5 Ft.)	1
	610861	Brush Guard Weldment (6 Ft.)	1
	610781	Brush Guard Weldment (7 Ft.)	1
29	610749	Shield, Bristle	1
30	2503055	Bolt 3/8"-16NC x 1" Carriage Head	6
31	2501004	Washer 3/8" Flat	9
32	2502008	Washer 3/8" Springlock	7
33	2500004	Nut 3/8"-16NC Full Hex	7
34	2503178	Bolt 3/8"-16NC x 1 1/4" Carriage Head	1
35	610837	Hood Support Bracket	1
36	2504225	Manual Holder, Plastic	1
37	2503116	Bolt 1/4"-20NC x 1" Hex Head Gr. 2	2
38	2500008	Nut 1/4"-20NC Full Hex	2
39	610726	Stand Tube (Rear)	2
40	610731	Stand Tube (Front)	2
41	590194	Lock Pin 5/16" (AK-2907)	4
42	610849	Spring, Extension	1
43	610851	Chain, Boom Pivot Limit (33 Links)	2