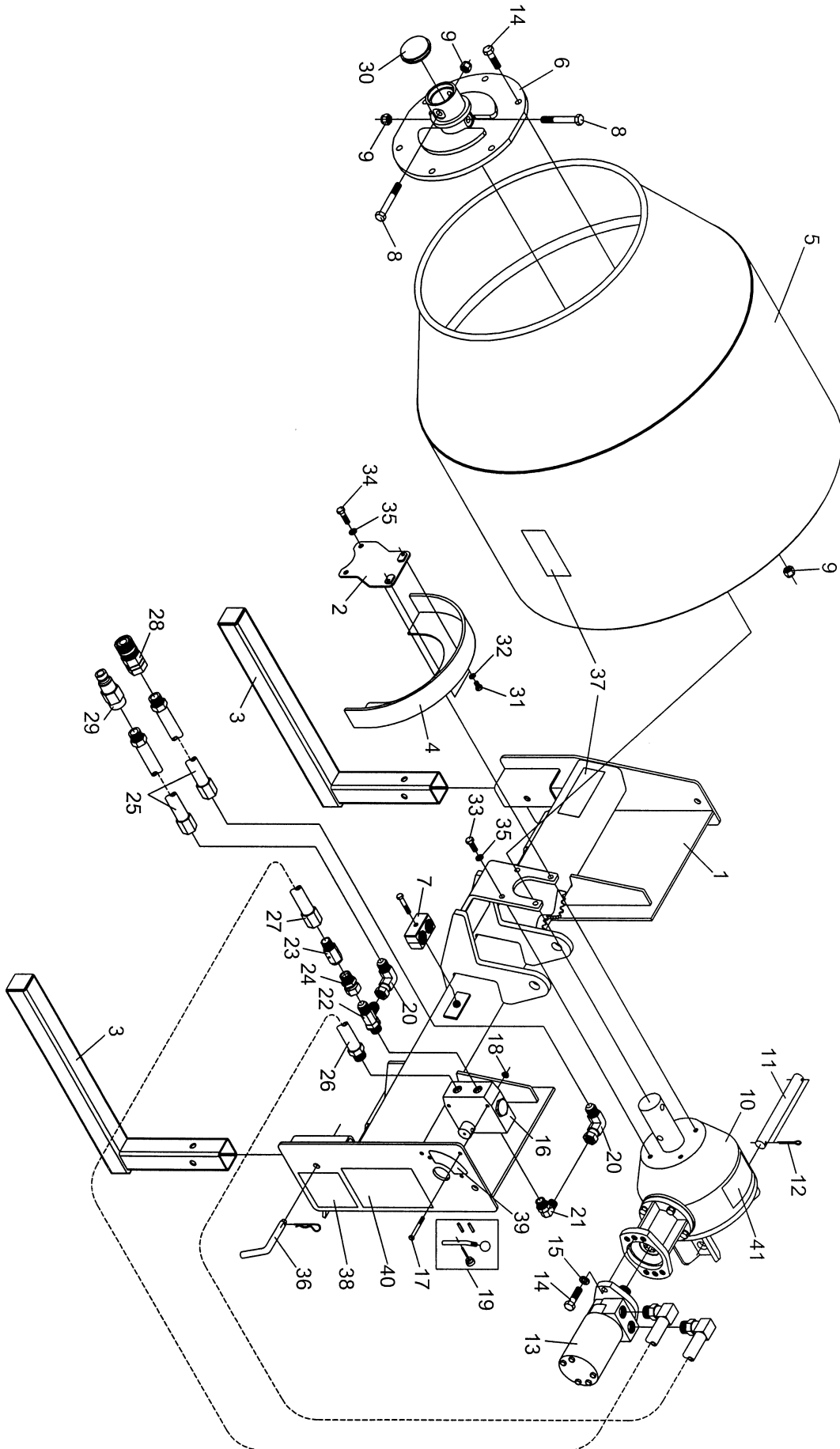


MODEL SS-590 MIXER PARTS LIST



MODEL SS-590 MIXER PARTS VIEW

Ref. No.	Part No.	Description	No. Req'd.
1	780965	Main Frame Weldment (SS-590 Mixer)	1
2	780977	Guard Support Weldment	1
3	780975	Mixer Leg Weldment	2
4	780970	Guard Weldment	1
5	780945	Drum Weldment	1
6	780951	Hub Weldment	1
7	2505586	Hose Clamp Assembly	1
8	2503264	Bolt 1/2"-13NC x 3 1/2" Hex Head Gr. 5	2
9	2500039	Nut 1/2"-13NC Nylock Hex	8
10	706403	Gearbox w/Input Flange Assembly	1
11	706096	Gearbox Pin	1
12	706097	Cotter Pin 3/16" x 2"	2
13	2505704	Hydraulic Motor (Parker)	1
14	2503265	Bolt 1/2"-13NC x 1 3/4" Hex Head Gr. 5	8
15	2502002	Washer 1/2" Springlock	2
16	2505583	Valve, Flow Control (Prince)	1
17	2503249	Bolt 1/4"-20NC x 2 1/4" Hex Head Gr. 2	2
18	2500008	Nut 1/4"-20NC Whix Flange Hex	2
19	2505590	Handle Hardware Kit for Flow Control Valve	1
20	2505736	Elbow, 90° Swivel 3/4"	2
21	2505737	Elbow, 90° Adjustable 3/4"	1
22	2505738	Tee, Adjustable 3/4"	1
23	2505757	Valve, Check	1
24	2505758	Connector 3/4"	1
25	2505739	Hose, Hydraulic 1/2" ID x 120"	2
26	2505740	Hose, Hydraulic 1/2" ID x 24" w/90° Fitting	1
27	2505741	Hose, Hydraulic 1/2" ID x 20" w/90° Fitting	1
28	2505689	SAE Coupling 1/2" Female - 3/4"16 ORB	1
29	2505688	SAE Coupling 1/2" Male - 3/4"-16 ORB	1
30	2506024	Dust Cap	1
31	2503105	Bolt 5/16"-18NC x 1/2" Hex Head Gr. 2	2
32	2502011	Washer 5/16" Springlock	2
33	2503011	Bolt 3/8"-16NC x 1" Hex Head Gr. 2	2
34	2503020	Bolt 3/8"-16NC x 1 1/4" Hex Head Gr. 5	2
35	2502008	Washer 3/8" Springlock	4
36	341857	Shift Pin w/Hair Clip Pin	2
37	101027	Safety Sign - Warning (Stand Clear)	2
38	101122	Safety Sign - Warning (Hi-Pressure)	1
39	101197	Decal - Speed Control	1
40	101307	Safety Sign - Mixer Instructions	1
41	101188	Decal - Gearbox Notice	1