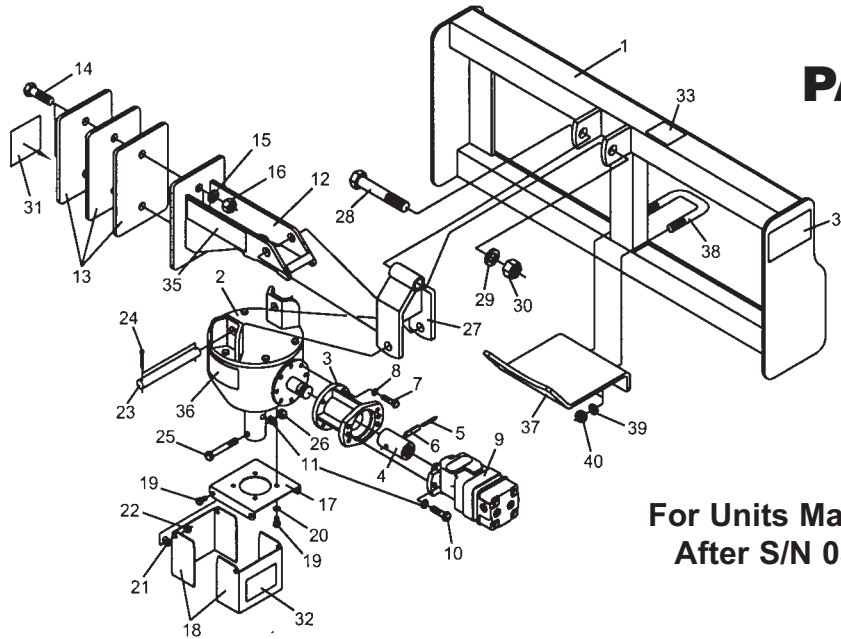


924H PARTS LIST



For Units Manufactured
After S/N 03080001

Ref. No.	Part No.	Description	No. Req'd.
1	702121	Main Frame Weldment	1
2	706405	Gearbox	1
	702141	Flange Assembly (Includes Items #3 thru #7)	1
3	702142	Extension	1
4	702143	Bushing, Splined	1
5	702144	Pin 6 x 45, Spring	1
6	702145	Pin 10 x 45, Spring	1
7	702148	Bolt M10 x 40 Hex Head Gr. 8.8	4
8	2502019	Washer 10MM Springlock	4
9	2505617	Hydraulic Motor	1
10	2503265	Bolt 1/2"-13NC x 1 3/4" Hex Head Gr.5	2
11	2502002	Washer 1/2" Springlock	4
12	702056	Counterweight Bracket	1
13	702058	Endplate, Counterweight	3
14	2503085	Bolt 3/4"-10NC x 2 1/2" Hex Head Gr.5	2
15	2502001	Washer 3/4" Springlock	2
16	2500002	Nut 3/4"-10NC Full Hex	2
17	706091	Shield Base	1
18	706094	Flip Down Shield	2
19	2503030	Bolt 3/8"-16NC x 3/4" Hex Head Gr.2	8
20	2502008	Washer 3/8" Springlock	4
21	2501004	Washer 3/8" Flat	4
22	2500055	Nut 3/8"-16NC Hex Stamplock	4
23	706096	Gearbox Pin	1
24	706097	Cotter Pin 3/16" x 2"	1
25	2503109	Bolt 1/2"-13NC x 3 1/2" Hex Head Gr.2	2
26	2500003	Nut 1/2"-13NC Full Hex	2
27	702040	Pivot Bracket Weldment	1
28	2503257	Bolt 1"-8NC x 6" Hex Head Gr.5	1
29	2502009	Washer 1" Springlock	1
30	2500001	Nut 1"-8NC Full Hex	1
31	101122	Safety Sign-Warning (Hi Pressure)	1
32	101186	Safety Sign-Warning (Shields)	2
33	101015	Safety Sign-PHD Instructions	1
34	101032	Safety Sign-Danger (PH Digger)	1
35	101130	Safety Sign-Danger (Rotating Parts)	1
36	101188	Safety Sign-Gearbox Notice	1
37	702127	Gearbox Cradle	1
38	940009	U-Bolt 5/8"-11NC 3" ID x 4"	1
39	2502007	Washer 5/8" Spring Lock	2
40	2500013	Nut 5/8"-11NC Full Hex	2