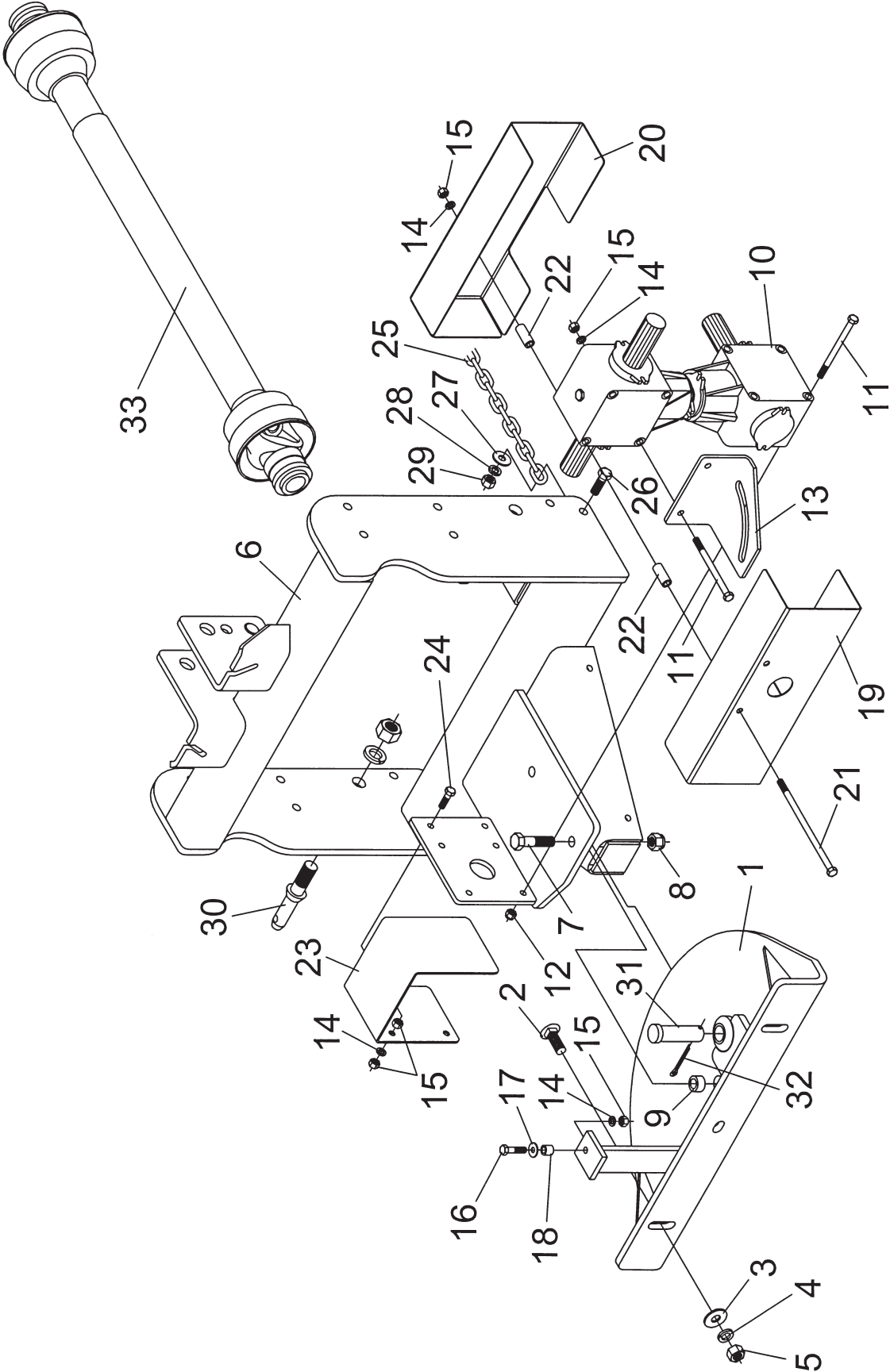


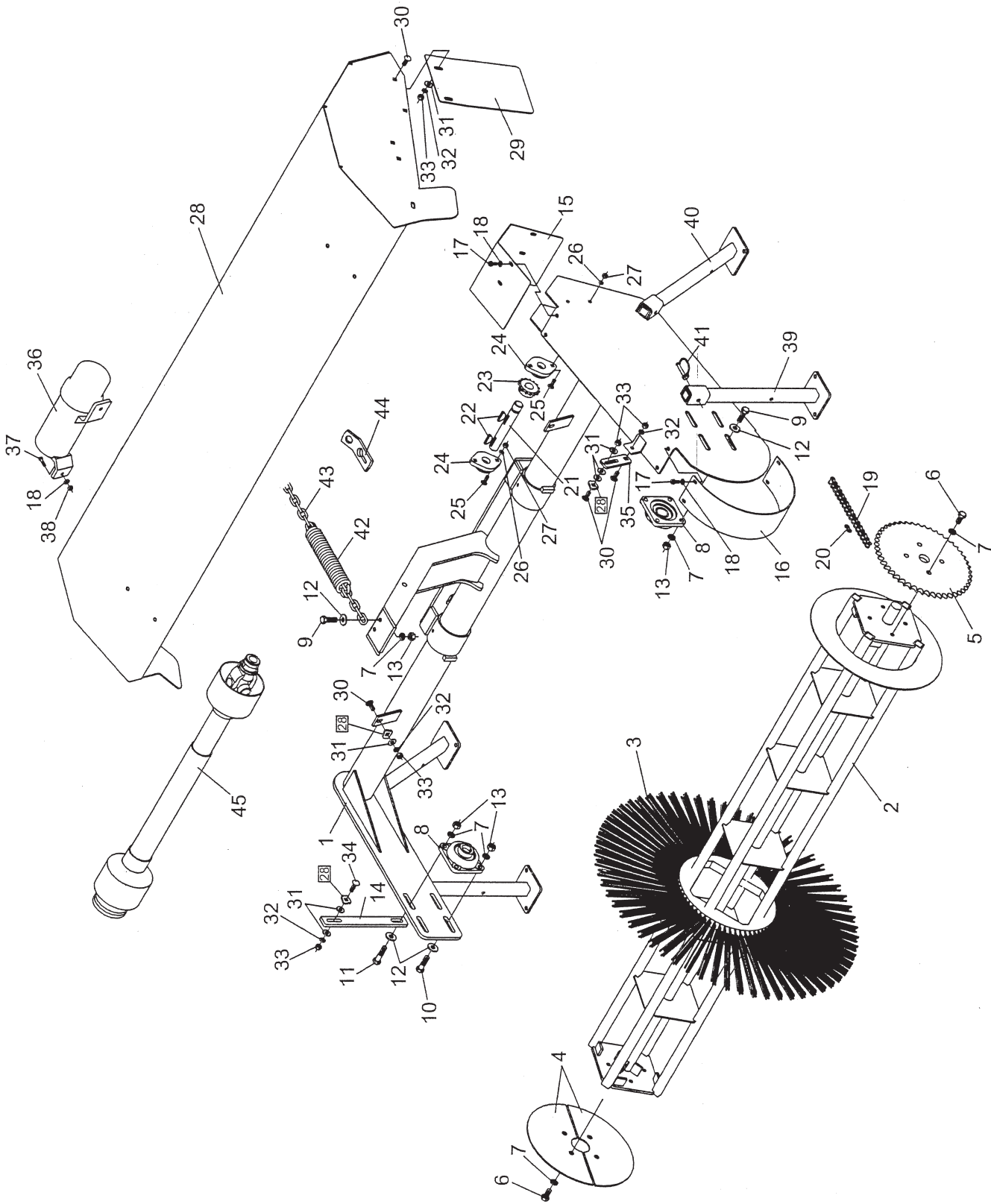
3 PT. MOUNT ASSEMBLY PARTS DRAWING



3 PT. MOUNT ASSEMBLY PARTS LIST

Ref. No.	Part No.	Description	No. Req'd.
1	610841	Main Pivot Weldment	1
2	2503330	Bolt 5/8"-11NC x 1 3/4" Carriage Head	3
3	2501005	Washer 5/8" Flat	3
4	2502007	Washer 5/8" Springlock	3
5	2500071	Nut 5/8"-11NC Full Hex Gr. 5	3
6	610770	3 Pt. Main Frame Weldment	1
7	2503088	Bolt 5/8"-11NC x 2 1/2" Hex Head Gr. 5	1
8	2500041	Nut 5/8"-11NC Hex Nylock	1
9	610848	Bushing, Main Pivot	1
10	610760	Double Gearbox	1
11	2503013	Bolt 3/8"-16NC x 5" Hex Head Gr. 2	6
12	2500042	Nut 3/8"-16NC Hex Nylock	4
13	610714	Guide, Upper Gearbox	1
14	2502008	Washer 3/8" Springlock	7
15	2500004	Nut 3/8"-16NC Full Hex	9
16	2503006	Bolt 3/8"-16NC x 1 1/2" Hex Head Gr. 2	1
17	2501004	Washer 3/8" Flat	1
18	610847	Bushing, Gearbox Guide	1
19	610777	Guard, Top Gearbox RH	1
20	610778	Guard, Top Gearbox LH	1
21	2503331	Bolt 3/8"-16NC x 8" Hex Head Gr. 2	2
22	610733	Spacer, Gearbox Shield	4
23	610878	Guard, Front PTO	1
24	2503020	Bolt 3/8"-16NC x 1 1/4" Hex Head Gr. 2	2
25	610852	Chain, 3-Pt. Limit (39 Links)	2
26	2503145	Bolt 1/2"-13NC x 1 1/2" Hex Head Gr. 5	2
27	2501003	Washer 1/2" Flat	2
28	2502002	Washer 1/2" Springlock	2
29	2500003	Nut 1/2"-13NC Full Hex	2
30	590108	Draw Pin (AK-578)	2
31	863070	Pin, Hydraulic Cylinder	2
32	2504007	Pin, Cotter 3/16" x 1 3/4"	2
33	610780	Driveline, Tractor to Gearbox	1

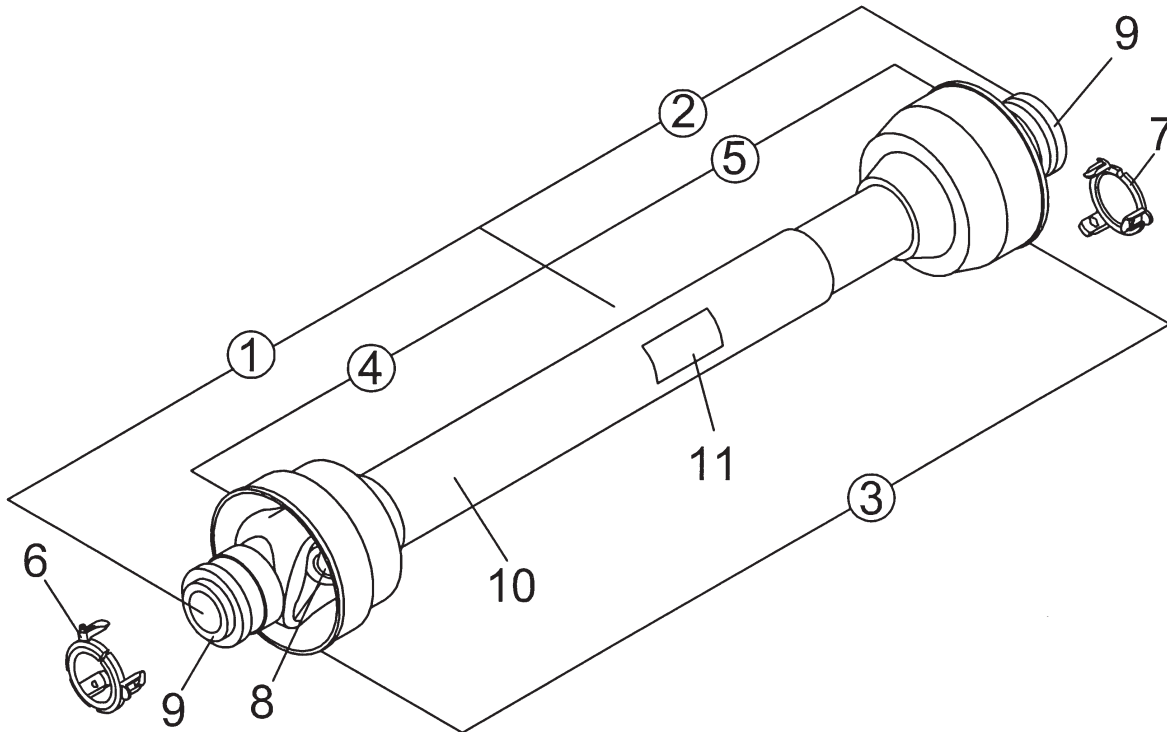
BRUSH HEAD ASSEMBLY PARTS DRAWING



BRUSH HEAD ASSEMBLY PARTS LIST

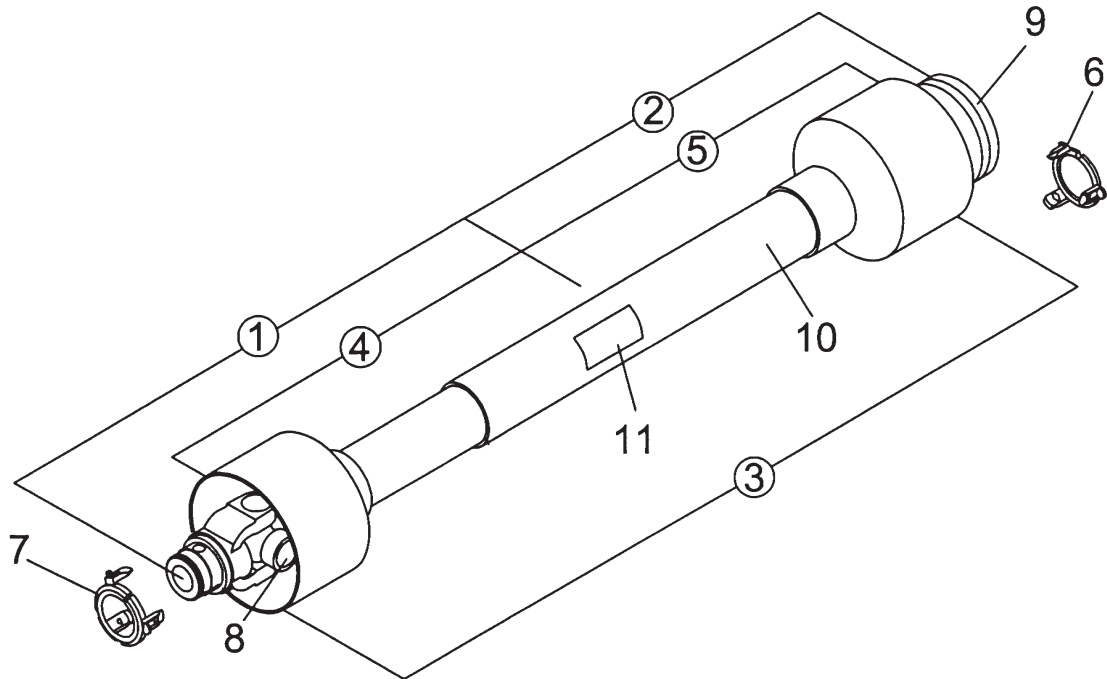
Ref. No.	Part No.	Description	No. Req'd.
1	610810	Frame Weldment (5 Ft.)	1
	610866	Frame Weldment (6 Ft.)	1
	610715	Frame Weldment (7 Ft.)	1
	610820	Frame Weldment (8 Ft.)	1
2	610895	Brush Core Weldment (5 Ft.)	1
	610735	Brush Core Weldment (6 Ft.)	1
	610740	Brush Core Weldment (7 Ft.)	1
	610875	Brush Core Weldment (8 Ft.)	1
3	610860	Wafer, 10 x 32 Poly	Var.
	610865	Wafer, 10 x 32 Wire (PW Models only)	Var.
4	610721	Retainer Plate, Wafer Lock	2
5	2506021	Sprocket, Large 60A48	1
6	2503332	Bolt 1/2"-13NC x 1" Hex Head Gr. 5	8
7	2502002	Washer 1/2" Springlock	18
8	2505043	Bearing, 4-Bolt Flange	2
9	2503145	Bolt 1/2"-13NC x 1 1/2" Hex Head Gr. 5	6
10	2503265	Bolt 1/2"-13NC x 1 3/4" Hex Head Gr. 5	3
11	2503118	Bolt 1/2"-13NC x 2" Hex Head Gr. 5	1
12	2501003	Washer 1/2" Flat	10
13	2500003	Nut 1/2"-13NC Full Hex	10
14	610799	Strap, Shield Adjustment	1
15	610722	Shield, Upper Chain	1
16	610723	Shield, Lower Chain	1
17	2503326	Bolt 1/4"-20NC x 3/4" Flange Hex	8
18	2501006	Washer 1/4" Flat	10
19	610846	Chain, #60 Roller	1
20	2506022	Master Link, #60	1
21	610773	Jack Shaft, Ø1.00" x 7.00"	1
22	2505701	Key, Woodruff #22	2
23	2506019	Sprocket, Small 60B11	1
24	2505041	Bearing, 2-Bolt Flange	2
25	2503110	Bolt 5/16"-18NC x 1" Carriage Head	4
26	2502011	Washer 5/16" Springlock	4
27	2500011	Nut 5/16"-18NC Full Hex	4
28	610901	Brush Guard Weldment (5 Ft.)	1
	610861	Brush Guard Weldment (6 Ft.)	1
	610781	Brush Guard Weldment (7 Ft.)	1
	610881	Brush Guard Weldment (8 Ft.)	1
29	610749	Shield, Bristle	1
30	2503055	Bolt 3/8"-16NC x 1" Carriage Head	6
31	2501004	Washer 3/8" Flat	9
32	2502008	Washer 3/8" Springlock	7
33	2500004	Nut 3/8"-16NC Full Hex	7
34	2503178	Bolt 3/8"-16NC x 1 1/4" Carriage Head	1
35	610837	Hood Support Bracket	1
36	2504225	Manual Holder, Plastic	1
37	2503116	Bolt 1/4"-20NC x 1" Hex Head Gr. 2	2
38	2500008	Nut 1/4"-20NC Full Hex	2
39	610726	Stand Tube (Rear)	2
40	610731	Stand Tube (Front)	2
41	590194	Lock Pin 5/16" (AK-2907)	4
42	610849	Spring, Extension	1
43	610851	Chain, Boom Pivot Limit (33 Links)	2
44	610879	Bracket, Chain Adjustment	1
45	610765	Driveline, Gearbox to Brush (5 Ft. only)	1
	610790	Driveline, Gearbox to Brush (6 & 7 Ft.)	1
	610795	Driveline, Gearbox to Brush (8 Ft. only)	1

PTO DRIVELINE PARTS DRAWING & LIST (TRACTOR TO GEARBOX)



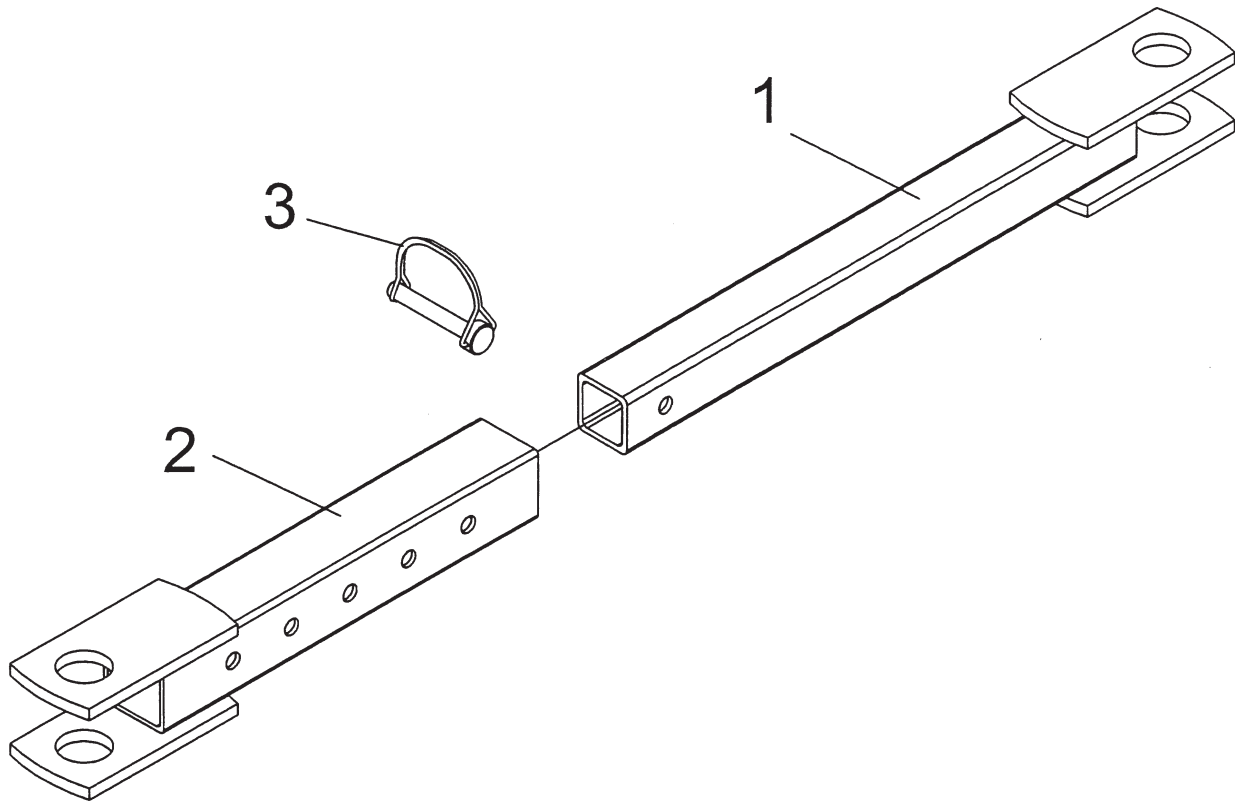
Ref. No.	Part No.	Description	No. Req'd.
	610780	Complete Driveline Assembly	1
1	610801	1/2 PTO w/Shielding (Outer End)	1
2	610802	1/2 PTO w/Shielding (Inner End)	1
3	610803	Complete Shield Kit	1
4	610804	1/2 Shield Assembly (Outer End)	1
5	610806	1/2 Shield Assembly (Inner End)	1
6	170974	Guard Retaining Collar for Outer Tube	1
7	170975	Guard Retaining Collar for Inner Tube	1
8	170972	PTO Cross Repair Kit	2
9	170982	Slide Collar Kit 1 3/8"	2
10	650726	"DANGER" Label for Outer Tube	1
11	650727	"DANGER" Label for Outer Guard Tube	1

PTO DRIVELINE PARTS DRAWING & LIST (GEARBOX TO BROOM)



Ref. No.	Part No.	Description	No. Req'd.
	610765	Complete Driveline Assembly (5 Ft. only)	1
	610790	Complete Driveline Assembly (6 & 7 Ft.)	1
	610795	Complete Driveline Assembly (8 Ft. only)	1
1	610808	1/2 PTO w/Shielding (Broom End) (5 Ft. only)	1
	610786	1/2 PTO w/Shielding (Broom End) (6 & 7 Ft.)	1
	610814	1/2 PTO w/Shielding (Broom End) (8 Ft. only)	1
2	610809	1/2 PTO w/Shielding (Gearbox End) (5 Ft. only)	1
	610787	1/2 PTO w/Shielding (Gearbox End) (6 & 7 Ft.)	1
	610816	1/2 PTO w/Shielding (Gearbox End) (8 Ft. only)	1
3	610807	Complete Shield Kit (5 Ft. only)	1
	610788	Complete Shield Kit (6 & 7 Ft.)	1
	610813	Complete Shield Kit (8 Ft. only)	1
4	610811	1/2 Shield Assembly (Broom End) (5 Ft. only)	1
	610789	1/2 Shield Assembly (Broom End) (6 & 7 Ft.)	1
	610817	1/2 Shield Assembly (Broom End) (8 Ft. only)	1
5	610812	1/2 Shield Assembly (Gearbox End) (5 Ft. only)	1
	610794	1/2 Shield Assembly (Gearbox End) (6 & 7 Ft.)	1
	610818	1/2 Shield Assembly (Gearbox End) (8 Ft. only)	1
6	170974	Guard Retaining Collar for Outer Tube	1
7	170975	Guard Retaining Collar for Inner Tube	1
8	170972	PTO Cross Repair Kit	2
9	170982	Slide Collar Kit 1 3/8"	1
10	650726	"DANGER" Label for Outer Tube	1
11	650727	"DANGER" Label for Outer Guard Tube	1

OPTIONAL MANUAL ANGLE KIT PARTS DRAWING & LIST



Ref. No.	Part No.	Description	No. Req'd.
	610702	Complete Manual Angle Kit	1
1	610826	Link, Manual Angle Male	1
2	610831	Link, Manual Angle Female	1
3	590194	Lock Pin 5/16" (AK-2907)	1