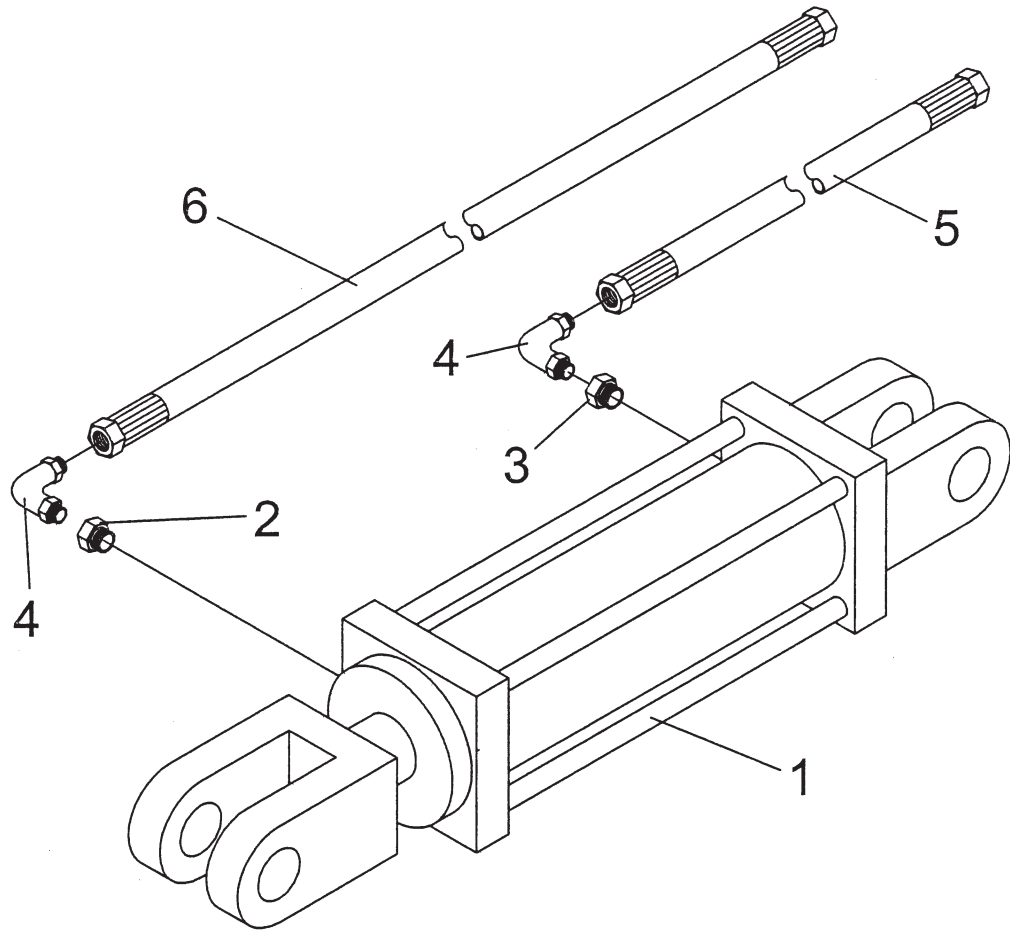


OPTIONAL HYDRAULIC ANGLE ADJUSTMENT KIT PARTS DRAWING & LIST



Ref. No.	Part No.	Description	No. Req'd.
	610703	Hydraulic Angle Adjustment Kit	1
1	2504256	Hydraulic Cylinder 2 x 6	1
2	2505517	Reducer Bushing 3/8"-1/4"	1
3	2505626	Reducer Bushing 3/8"-1/4" w/.040 Orifice	1
4	2505715	90° Elbow 9/16"-18 (JIC) to 1/4" NPTF	2
5	2505676	Hydraulic Hose 1/4" x 60"	1
6	2505678	Hydraulic Hose 1/4" X 72"	1